

# VERDERAIR

## VA-2H40 3A



The VA-2H40 3A is a hygienic designed air operated double diaphragm pump. With the wide range of materials for valve seats, ball valves and diaphragms, this pump is the ideal problem solver for numerous hygienic applications. The VA-2H series is used where a high degree of food safety is required. The VA-2H is a reliable, easy to operate pump.

### Your benefits

- Most hygienic design for food applications
- Efficient engineered design which reduces the risk of contamination (low amount of products which come into contact with the medium)
- A high quality product with best price-performance ratio
- Can run against closed discharge valve without the need of overpressure safety equipment
- Dry self-priming

Technical Data			
Weight (kg)	Ball version	40,4	
Suction lift (mWc)	dry	3	
	wet	9,1	
Temperature limits internals (°C)	EPDM	-40	135
	Neoprene	-18	82
	PTFE overmold diaphragms	4	82
Max. particle size (mm)	Ball versions	12,7	
Max. viscosity (mPas)		15000	
Fluid displacement/cycle (litres)	Ball versions	2,46	
Certifications	All models	-	CE / FDA / 3A
	Internals diaphragms	EO, TO with TF valves	EN1935/2004
		EO with TF valves	USP class VI

Code VA-2H40 No.1 No.2 No.3 No.4 No.5 No.6 No.7 No.8		
<p><b>No. 1 Fluid Section Material</b> X = 316 Stainless Steel, Ra : 0,8µm</p> <p><b>No. 2 Air Section Material</b> S = 316 Stainless Steel</p> <p><b>No. 3 Check Valve seat material</b> SE = SS seat with EPDM o-rings ST = SS seat with EP-TF o-rings</p> <p style="text-align: right;"></p>	<p><b>No. 4 Check ball valves material</b> EP = EPDM NW = Neoprene weighted  TF = PTFE</p> <p><b>No. 5 Diaphragm material</b>  EO = EPDM overmolded   TO = PTFE/EPDM overmolded</p> <p><b>No. 6 Connections</b> D4 = DIN 11851, DN40, male T4 = Tri-Clamp (ASME BPE), 1 1/2"</p>	<p><b>No. 7 Pump Style</b> 3A = ball valve execution, 3A (leak sensors included)</p> <p><b>No. 8 Wetted material certifications</b> 21 = EN 10204 type 2.1 31 = EN 10204 type 3.1</p>

NOTE not all combinations are available  
 EN 1935/2004

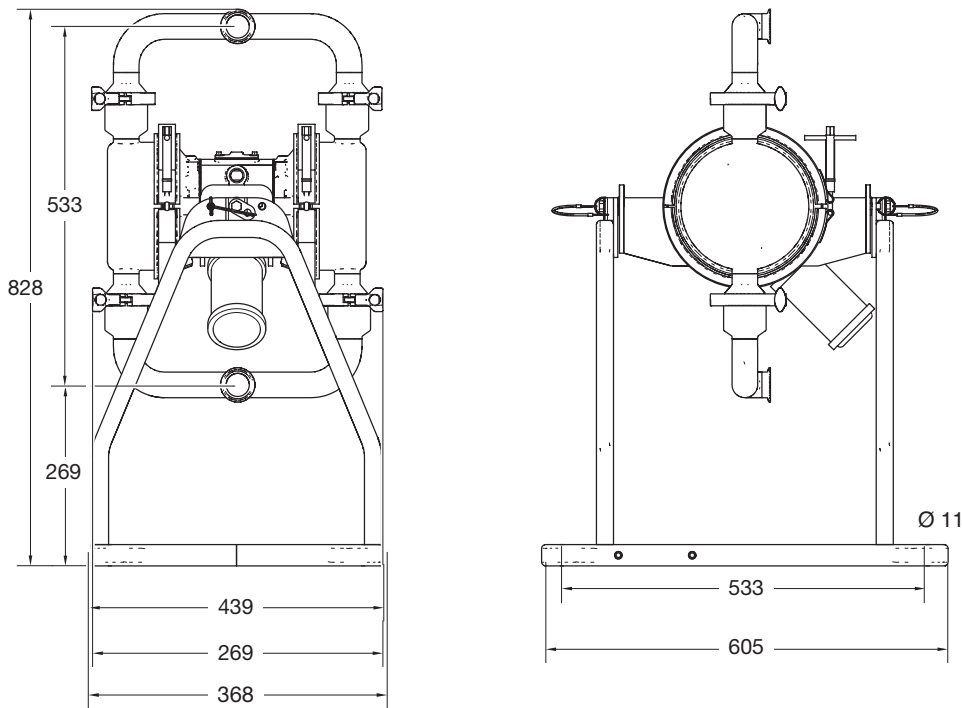
**EXAMPLE PUMP TYPE**  
**VA-2H40XS ST TF TO D4 3A 31**

# VERDERAIR

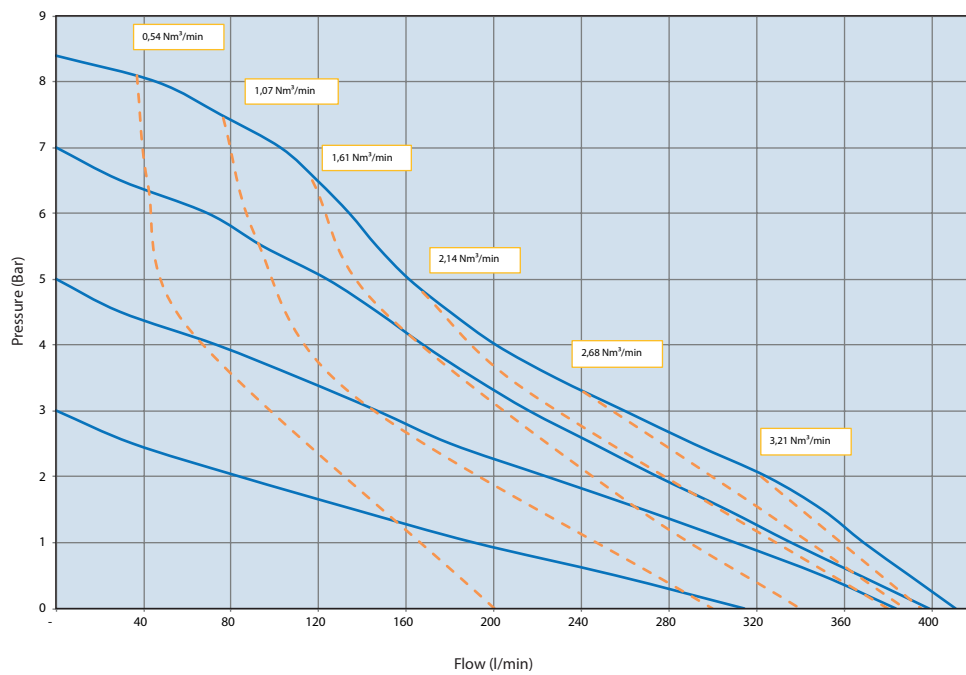
## VA-2H40 3A



### Dimensions (mm)



### Flow rate / air consumption

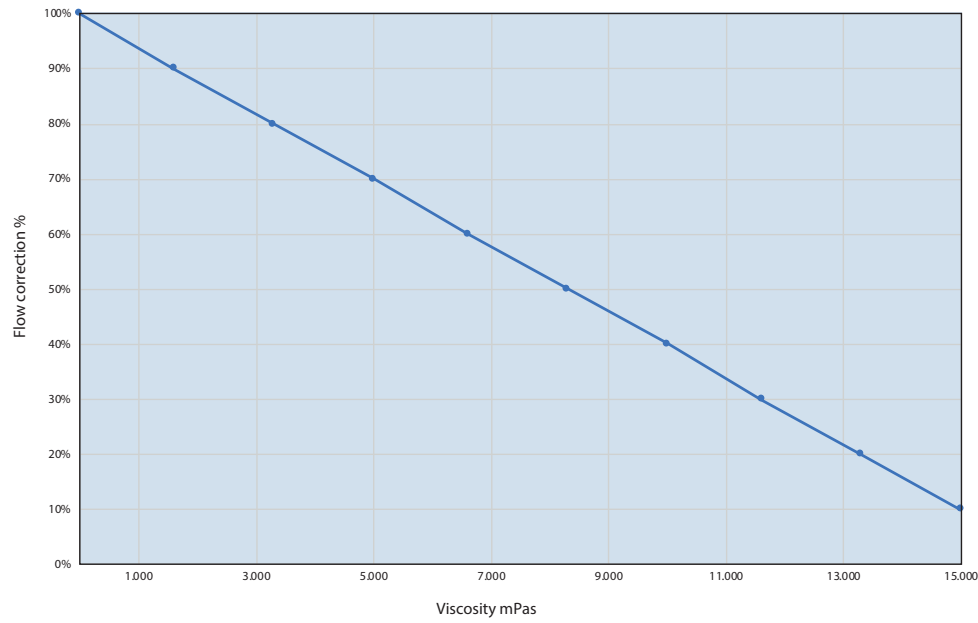


# VERDERAIR

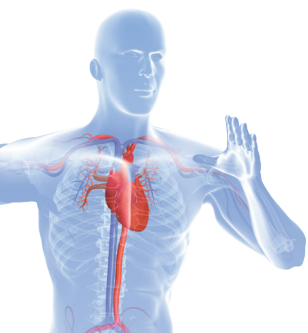
## VA-2H40 3A



### Viscosity correction curve



Datasheet\_VA-2H40 3A\_EU\_rev1



Find your local supplier at [www.verderliquids.com](http://www.verderliquids.com)

For construction, installation and floor mounting drawings  
please contact your local authorised Verderair® distributor.

**VERDER**  
passion for pumps