

Verder HI-CLEAN Diaphragm Pump

Model VA-2H80HE

812.0062

Rev A
EN

For transfer of fluids in sanitary applications. Not approved for use in European explosive atmosphere locations. For professional use only.

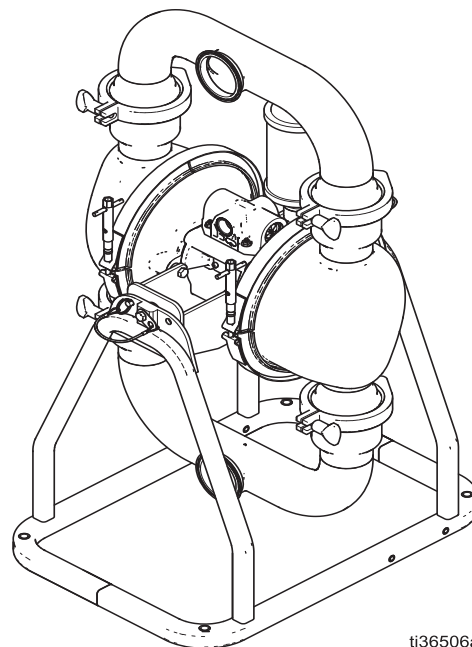
6.9 bar (0.7 MPa, 100 psi) Maximum Fluid Working Pressure

6.9 bar (0.7 MPa, 100 psi) Maximum Air Input Pressure



Important Safety Instructions.

Read all warnings and instructions in this manual before using the equipment. Save these instructions.



ti36506a



Contents









Related Manuals	2	Operation	12
Warnings	3	Pressure Relief Procedure	12
Configuration Number Matrix	5	Sanitize the Pump Before First Use	12
Material Temperature Range	6	Start and Adjust the Pump	13
Installation	7	Pump Shutdown	13
General Information	7	Maintenance	14
Tighten Clamps Before First Use	7	Lubrication	14
Grounding	7	Flushing and Storage	14
Stand and Mounting	8	Routine Cleaning of Product Contact Section of Pump	14
Air Line	8	Tightening Connections	14
Fluid Suction and Outlet Lines	9	Technical Specifications	15
Tips to Reduce Cavitation	9	Dimensions	15
Typical Installation	10	Performance Chart	16
Air Exhaust Ventilation	11	Technical Data	17
		Customer Services/Guarantee	19

Related Manuals






Manual in English	Description
812.0066	Verder HI-CLEAN Diaphragm Pump, Model VA-2H80HE, Repair/Parts

Warnings

The following warnings are for the setup, use, grounding, maintenance, and repair of this equipment. The exclamation point symbol alerts you to a general warning and the hazard symbol refers to procedure-specific risk. When these symbols appear in the body of this manual, refer back to these warnings. Additional, product-specific warnings may be found throughout the body of this manual where applicable.

 <h2 style="margin: 0;">WARNING</h2>	
   	<p>FIRE AND EXPLOSION HAZARD</p> <p>Flammable fumes, such as solvent, in work area can ignite or explode. Solvent flowing through the equipment can cause static sparking. To help prevent fire or explosion:</p> <ul style="list-style-type: none"> • Use equipment only in well ventilated area. • Eliminate all ignition sources; such as pilot lights, cigarettes, portable electric lamps, and plastic drop cloths (potential static sparking). • Ground all equipment in the work area. See Grounding instructions. • Keep work area free of debris, including solvent, rags and gasoline. • Do not plug or unplug power cords, or turn power or light switches on or off when flammable fumes are present. • Use only grounded fluid lines. • Hold gun firmly to side of grounded pail when triggering into pail. Do not use pail liners unless they are anti-static or conductive. • Stop operation immediately if static sparking occurs or you feel a shock. Do not use equipment until you identify and correct the problem. • Keep a working fire extinguisher in the work area. • Route exhaust away from all ignition sources. If diaphragm ruptures, fluid may be exhausted with air.
  	<p>PRESSURIZED EQUIPMENT HAZARD</p> <p>Fluid from the equipment, leaks, or ruptured components can splash in the eyes or on skin and cause serious injury.</p> <ul style="list-style-type: none"> • Follow the Pressure Relief Procedure when you stop spraying/dispensing and before cleaning, checking, or servicing equipment. • Tighten all fluid connections before operating the equipment. • Check fluid lines, tubes, and couplings daily. Replace worn or damaged parts immediately.

! WARNING

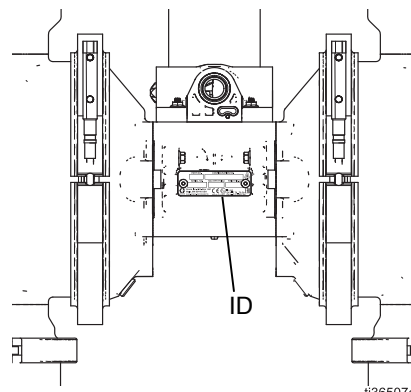
 	<p>EQUIPMENT MISUSE HAZARD Misuse can cause death or serious injury.</p> <ul style="list-style-type: none"> • Do not operate the unit when fatigued or under the influence of drugs or alcohol. • Do not exceed the maximum working pressure or temperature rating of the lowest rated system component. See Technical Data in all equipment manuals. • Use fluids and solvents that are compatible with equipment wetted parts. See Technical Data in all equipment manuals. Read fluid and solvent manufacturer's warnings. For complete information about your material, request Safety Data Sheet (SDS) from distributor or retailer. • Turn off all equipment and follow the Pressure Relief Procedure when equipment is not in use. • Check equipment daily. Repair or replace worn or damaged parts immediately with genuine manufacturer's replacement parts only. • Do not alter or modify equipment. Alterations or modifications may void agency approvals and create safety hazards. • Make sure all equipment is rated and approved for the environment in which you are using it. • Use equipment only for its intended purpose. Call your distributor for information. • Route fluid lines and cables away from traffic areas, sharp edges, moving parts, and hot surfaces. • Do not kink or over bend fluid lines or use fluid lines to pull equipment. • Keep children and animals away from work area. • Comply with all applicable safety regulations.
	<p>TOXIC FLUID OR FUMES HAZARD Toxic fluids or fumes can cause serious injury or death if splashed in the eyes or on skin, inhaled, or swallowed.</p> <ul style="list-style-type: none"> • Read Safety Data Sheet (SDS) to know the specific hazards of the fluids you are using. • Route exhaust away from work area. If diaphragm ruptures, fluid may be exhausted into the air. • Store hazardous fluid in approved containers, and dispose of it according to applicable guidelines.
	<p>BURN HAZARD Equipment surfaces and fluid that is heated can become very hot during operation. To avoid severe burns:</p> <ul style="list-style-type: none"> • Do not touch hot fluid or equipment.
	<p>PERSONAL PROTECTIVE EQUIPMENT Wear appropriate protective equipment when in the work area to help prevent serious injury, including eye injury, hearing loss, inhalation of toxic fumes, and burns. This equipment includes but is not limited to:</p> <ul style="list-style-type: none"> • Protective eyewear, and hearing protection. • Respirators, protective clothing, and gloves as recommended by the fluid and solvent manufacturer.

Configuration Number Matrix

Check the identification plate (ID) for the Configuration Number of your pump. Use the following matrix to define the components of your pump.

When you receive your pump, record the 9 character part number found on the shipping box (e.g., 811.0014):

Also record the configuration number on the pump ID plate to assist you when ordering replacement parts:






Sample Configuration Number: VA-2H80HE-XPSTTFTSD8SB21

VA-2H	80HE	X	P	ST	TF	TS	D8	SB	21
Pump Model	Pump Size	Wetted Parts	Air Section	Seats	Balls	Diaphragms	Connections	Options	Certifications

NOTE: Some combinations are not possible. Please check with your local supplier.

Pump Model	Pump Size		Wetted Parts Material		Air Section Material		Seat Material		
	VA-2H	80HE	80 mm	X	High Sanitation, 3-A 0.8 μm	P	Polypropylene	SB	Stainless Steel, Buna-N gasket
			Y	Pharmaceutical, 0.5 μm			SE	Stainless Steel, EPDM gasket	
							ST	Stainless Steel, EP-TF gasket	
							SV	Stainless Steel, FKM gasket	

Ball Material		Diaphragm Material		Connections		Options		Certification	
BN	Buna-N	BN	Buna-N	T8	TRI-CLAMP 3"	3A	3-A	21	EN 10204 type 2.1
EP	EPDM	EO	EPDM Overmolded	D8	DIN 11851 (DN 80)	SB	Sanitary ball	31	EN 10204 type 3.1
NE	Polychloroprene	SP	Santoprene						
SP	Santoprene	TS	PTFE/Santoprene, 2-piece						
TF	PTFE	VT	FKM						
VT	FKM								

Approvals		
Diaphragm materials coded EO, TO, or TS combined with TF ball checks are comply with:		EC 1935/2004
Diaphragm materials coded EO or TS combined with TF ball checks comply with:		Class VI
All models are approved to:		
All fluid contact materials are FDA compliant and meet the United States Code of Federal Regulations (CFR)		

Material Temperature Range

Diaphragm/Ball/Seat Material	Fluid Temperature Range	
	Fahrenheit	Celsius
FKM Fluoroelastomer (VT)	-40° to 275°F	-40° to 135°C
Polychloroprene check balls (NE)	0° to 180°F	-18° to 82°C
EPDM overmolded diaphragm (EO)	-40° to 275°F	-40° to 135°C
PTFE overmolded diaphragm (TO)	40° to 180°F	4° to 82°C
PTFE check balls	40° to 220°F	4° to 104°C
2-piece PTFE/Santoprene diaphragms (TS)	40° to 180°F	4° to 82°C
Santoprene (SP)	-40° to 180°F	-40° to 82°C
Buna-N (BN)	10° to 180°F	-12° to 82°C

Installation

General Information

- A typical installation is shown in FIG. 2. It is only a guide for selecting and installing system components. Contact your Verder distributor for assistance in planning a system to suit your needs.
- Always use genuine Verder parts and accessories.
- Reference numbers and letters in parentheses refer to the callouts in the figures.

Tighten Clamps Before First Use

After you unpack the pump, and before you use it for the first time, check all clamps, and tighten as necessary.

Grounding



The equipment must be grounded to reduce the risk of static sparking. Static sparking can cause fumes to ignite or explode. Grounding provides an escape wire for the electric current.

- **Always** ground the entire fluid system as described below.
- Polypropylene pumps are **not** conductive and are not for use with flammable fluids.
- Follow your local codes and regulations.

- *Pump:* Connect a ground wire and clamp as shown in FIG. 1. Loosen the grounding screw (W). Insert one end of a 1.5 mm² (12 AWG) or thicker ground wire (X) behind the grounding screw and tighten the screw securely. Connect the clamp end of the ground wire to a true earth ground. To order a ground wire and clamp, order part number 819.0157.

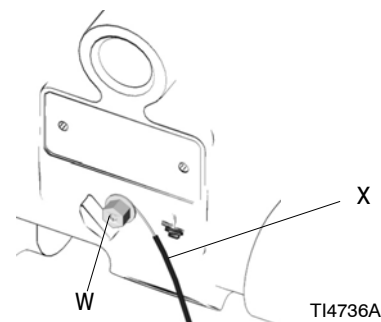


FIG. 1: Ground Wire Connection

- *Air and fluid lines:* Use only conductive lines with a maximum of 150 m (500 ft) combined line length to ensure grounding continuity. Check electrical resistance of lines. If total resistance to ground exceeds 29 megohms, replace line immediately.
- *Fluid supply container:* Follow the local codes and regulations.
- *Pails for solvents and sanitizing solution used when flushing:* Follow local codes and regulations. Use only conductive metal pails, placed on a grounded surface. Do not place the pail on a nonconductive surface, such as paper or cardboard, which interrupts grounding continuity.

Stand and Mounting



The pump is very heavy (see **Technical Specifications** on page 15 for specific weights). If the pump must be moved, follow the **Pressure Relief Procedure** on page 12 and have two people lift the pump by grasping the outlet manifold securely, or use appropriate lifting equipment. Never have one person move or lift the pump.

For pumps that are provided with a stand, the pump must be mounted to the stand before securing the pump to the mounting surface. Ensure that the pump is securely mounted to the stand.

1. Ensure that the mounting surface is level and can support the weight of the pump, lines, and accessories, as well as the stress caused during operation.
2. Mount the pump and stand assembly on a level surface and secure the assembly to the mounting surface. See **Technical Specifications**, page 15, for dimensions of the mounting holes for your pump.

NOTE: For ease of operation and service, mount the pump so the air valve cover, air inlet, and fluid inlet and outlet ports are easily accessible.

Air Line



A bleed-type master air valve (B) is required in the system to relieve air trapped between this valve and the pump. Trapped air can cause the pump to cycle unexpectedly, which could result in serious injury, including splashing in the eyes or on the skin. See FIG. 2.

1. Install the air line accessories as shown in FIG. 2. Verify that the air line supplying the accessories is grounded.
 - a. Install an air regulator (C) and air pressure gauge (V) to control the fluid pressure. The fluid outlet pressure will be the same as the setting of the air regulator.
 - b. Locate one bleed-type master air valve (B) close to the pump and use it to relieve trapped air. Locate the other master air valve (E) upstream from all air line accessories and use it to isolate them during cleaning and repair.
 - c. The air line filter (F) removes harmful dirt and moisture from the compressed air supply.
2. Install a conductive, grounded, flexible air supply line (A) between the accessories and the 3/4 npt(f) pump air inlet (M).

Fluid Suction and Outlet Lines

For best sealing results, use a standard tri-clamp or DIN style sanitary gasket of a flexible material such as EPDM, Buna-N, fluoroelastomer, or silicone.

NOTE: Compliance with 3A sanitary standards requires DIN connections to use certain gaskets. See CCE Coordination Bulletin Number 2011-3.

1. Install flexible, conductive fluid lines (G and L).
2. Install a fluid drain valve (J) close to the pump fluid outlet. See FIG. 2.



A fluid drain valve (J) is required to relieve pressure in the fluid outlet line if it is plugged. The drain valve reduces the risk of serious injury, including splashing in the eyes or on the skin, when relieving pressure.

3. Install a fluid shutoff valve (K) in the fluid outlet line (L) downstream from the fluid drain valve (J).

NOTE: For best results, always install the pump as close as possible to the material source. See the **Technical Specifications**, page 15, for maximum suction lift (wet and dry).

NOTICE

The pump can be damaged if flexible fluid lines are not used. If hard-plumbed fluid lines are used in the system, use a short length of flexible, conductive fluid line to connect to the pump.

Tips to Reduce Cavitation

Cavitation in a diaphragm pump is the formation and collapse of bubbles in the pumped liquid. Frequent or excessive cavitation can cause serious damage, including pitting and early wear of fluid chambers, balls, and seats. It may result in reduced efficiency of the pump. Cavitation damage and reduced efficiency both result in increased operating costs.

Cavitation depends on the vapor pressure of the pumped liquid, the system suction pressure, and the velocity pressure. It can be reduced by changing any of these factors.

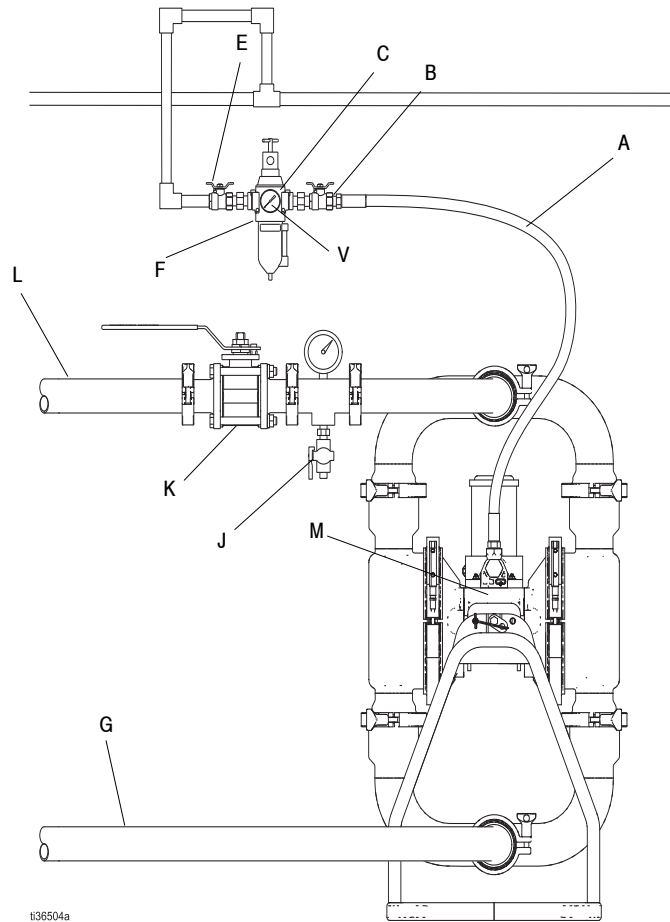
1. Reduce vapor pressure: Decrease the temperature of the pumped liquid.
2. Increase suction pressure:
 - a. Lower the installed position of the pump relative to the liquid level in the supply.
 - b. Reduce the friction length of the suction lines. Remember that fittings add friction length to the lines. Reduce the number of fittings to reduce the friction length.
 - c. Increase the diameter of the suction lines.
 - d. Ensure the inlet fluid pressure does not exceed 25% of the outlet working pressure.
3. Reduce liquid velocity: Slow the cyclic rate of the pump.

Pumped liquid viscosity is also very important but normally is controlled by factors that are process dependent and cannot be changed to reduce cavitation. Viscous liquids are more difficult to pump and more prone to cavitation.

Verder recommends taking all of the above factors into account in system design. To maintain pump efficiency, supply only enough air to the pump to achieve the required flow.

Verder distributors can supply site-specific suggestions to improve pump performance and reduce operating costs.

Typical Installation






Key:

- A Air supply line
- B Bleed-type master air valve (for pump)
(required, not supplied)
- C Air regulator (required, not supplied)
- E Master air valve (for accessories)
- F Air line filter
- G Flexible fluid suction line
- J Fluid drain valve (required, not supplied)
- K Fluid shutoff valve (required, not supplied)
- L Flexible fluid outlet line
- M 3/4 npt(f) air inlet (provided)
- V Air pressure gauge (required, not supplied)

Items not provided unless noted.

FIG. 2: Typical Floor-Mount Installation

Air Exhaust Ventilation

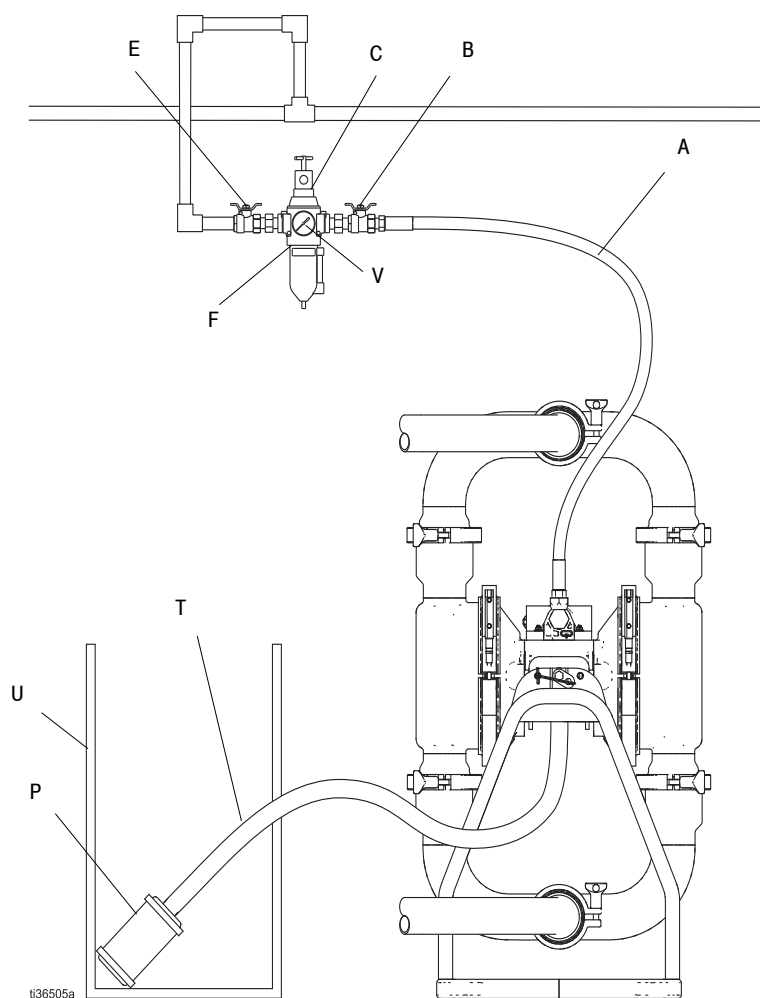
				
<p>Be sure the system is properly ventilated for your type of installation. You must vent the pump air exhaust to a safe place, away from people, animals, food handling areas, and all sources of ignition when pumping flammable or hazardous fluids. Diaphragm rupture can cause the fluid being pumped to exhaust with the air. Place a grounded container at the end of the air exhaust line to catch the fluid. See FIG. 3.</p>				

NOTE: The pump exhaust air may contain contaminants. Ventilate to a remote area if the exhaust could contaminate your fluid supply.

NOTE: The air exhaust port is 3/4 npt(f). Do not restrict the air exhaust port. Excessive exhaust restriction can reduce pump performance.

To provide a remote exhaust:

1. Remove the muffler (P) from the pump air exhaust port. See FIG. 3.
2. Install a conductive, grounded air exhaust line (T) and connect the muffler (P) to the other end of the line. The minimum size for the air exhaust line is 1.0 in. ID. If a line longer than 4.57 m (15 ft) is required, use a larger diameter line. Avoid sharp bends or kinks in the line.
3. Place a conductive, grounded container (U) at the end of the air exhaust line to catch fluid in case of a diaphragm rupture. See FIG. 3.



Key:

- A Air supply line
- B Bleed-type master air valve (for pump) (required, not supplied)
- C Air regulator (required, not supplied)
- E Master air valve (for accessories)
- F Air line filter
- P Muffler
- T Grounded air exhaust line
- U Container for remote air exhaust
- V Air pressure gauge (required, not supplied)

Items not supplied unless noted.

FIG. 3: Venting Exhaust Air

Operation

Pressure Relief Procedure



Follow the Pressure Relief Procedure whenever you see this symbol.



This equipment stays pressurized until pressure is manually relieved. To help prevent serious injury from pressurized fluid, such as splashing fluid, follow the Pressure Relief Procedure when you stop dispensing and before cleaning, checking, or servicing the equipment.

1. Close the master air valve (A) to shut off the air to the pump.
2. Open outbound fluid valve to relieve fluid pressure from the pump.
 - a. **For simple transfer applications**, open either the fluid shutoff valve (J) or the fluid drain valve (K).
 - b. **For circulating applications**, ensure that the fluid shutoff valve (J) is closed and open the fluid drain valve (K).

Sanitize the Pump Before First Use



NOTE: The pump was built and tested using a food grade lubricant.

Properly sanitize the pump before first use. The user must determine whether to disassemble and clean individual parts or simply flush the pump with a sanitizing solution.

To simply flush the pump with a sanitizing solution, follow the steps under **Start and Adjust the Pump**, page 13, and **Flushing and Storage**, page 14. To disassemble and clean individual parts, refer to the appropriate Repair manual.

Start and Adjust the Pump

1. Confirm that the pump is properly grounded. See **Grounding**, page 7.
2. Check and tighten all pump clamps and fluid connections before operating the equipment. Replace worn or damaged parts as necessary.
3. Connect a flexible fluid suction line (G) from the fluid to be pumped to the pump fluid inlet.
4. Connect the flexible fluid outlet line (L) to the pump fluid outlet and route the line to the end container.
5. Close the fluid drain valve (J).
6. Turn the air regulator (C) knob to the lowest air pressure setting and open the bleed-type master air valve (B).
7. If the fluid outlet line (L) has a dispensing device, hold it open while continuing with the following step.

8. To prime the pump, slowly increase air pressure with the air regulator (C) until the pump starts to cycle. Do not exceed the maximum operating air pressure as listed in the **Technical Specifications**, page 15. Allow the pump to cycle slowly until all air is pushed out of the fluid lines and fluid exits the outlet line (G).

NOTE: If the fluid inlet pressure to the pump is more than 25% of the outlet working pressure, the ball check valves will not close fast enough, resulting in inefficient pump operation. Inlet fluid pressure higher than 25% of the outlet working pressure will also shorten diaphragm life. Approximately 0.21-0.34 bar (0.02-0.03 MPA, 3-5 psi) fluid inlet pressure should be adequate for most materials.

Pump Shutdown



At the end of each work shift, perform the **Pressure Relief Procedure**, page 12.

Flush the pump if necessary. See **Flushing and Storage**, page 14.

Maintenance

Lubrication

The pump is lubricated at the factory. It is designed to require no further lubrication for the life of the pump. There is no need to add an inline lubricator under normal operating conditions.

The air valve is designed to operate unlubricated. If lubrication is desired, every 500 hours of operation (or monthly) remove the line from the pump air inlet and add two drops of machine oil to the air inlet.

NOTICE
<p>Do not over-lubricate the pump. Lubricant is exhausted through the muffler and could contaminate your fluid supply or other equipment. Excessive lubrication can also cause the pump to malfunction.</p>

Flushing and Storage



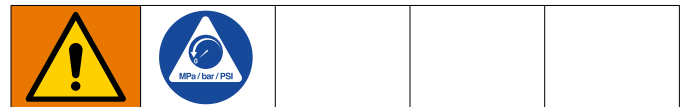
- Flush before fluid can dry or freeze in the equipment, at the end of the day, before storing, and before repairing equipment.
- Flush at the lowest pressure possible. Check connectors for leaks and tighten as necessary.
- Flush with a sanitizing solution that is compatible with the fluid being dispensed and the equipment wetted parts.
- Flushing schedule will vary based on particular uses.
- Always cycle the pump during the entire flushing process.

Always perform the **Pressure Relief Procedure**, page 12, and flush the pump before storing it for any length of time.

1. Insert suction tube into sanitizing solution.
2. Open air regulator (B) to supply low pressure air to the pump.
3. Run the pump for enough time to thoroughly clean the pump and lines.

4. Close the air regulator.
5. Remove the suction line from the sanitizing solution and drain pump.

Routine Cleaning of Product Contact Section of Pump



NOTE: The pump and the system should be cleaned in accordance with your state sanitary standard codes and local regulations.

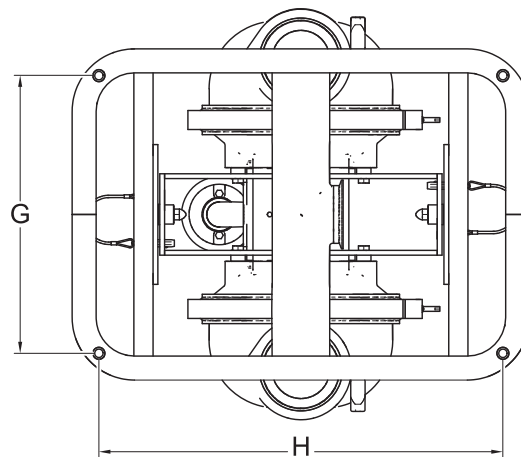
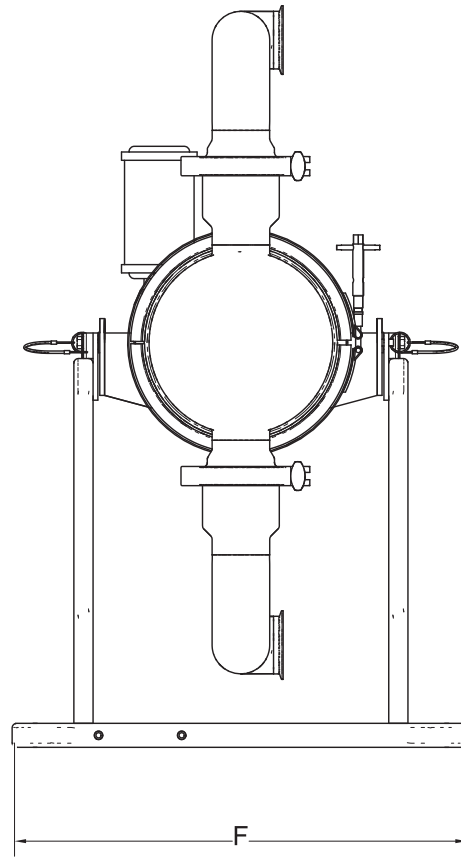
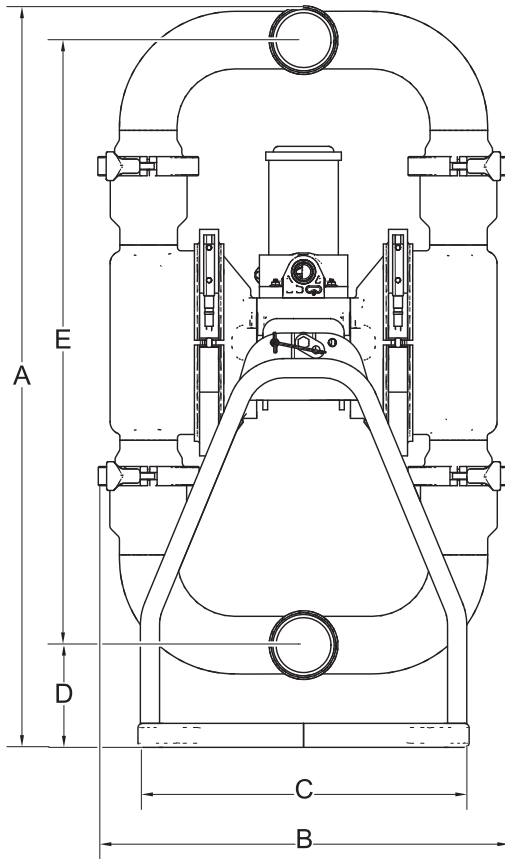
1. Flush the system. See **Flushing and Storage**.
2. Follow the **Pressure Relief Procedure**, page 12.
3. If disassembly of the pump is required for cleaning, refer to the appropriate repair manual.
4. Using a brush or other C.O.P. methods, wash all product contact pump parts with a sanitizing solution at the manufacturer's recommended temperature and concentration.
5. Rinse these parts again with water and allow parts to completely dry.
6. Inspect the parts and re-clean any soiled parts.
7. Immerse all product contact parts in an approved sanitizer before assembly. Leave the parts in the sanitizer, taking them out only one by one as needed for assembly.
8. Lubricate the clamps, clamping surfaces, and gaskets with waterproof sanitary lubricant.
9. Circulate the sanitizing solution through the pump and the system prior to use. Cycle the pump as the sanitizing solution is circulated.

Tightening Connections

Before each use, check and tighten all pump clamps and fluid connections before operating the equipment. Replace worn or damaged parts as necessary.

Technical Specifications

Dimensions



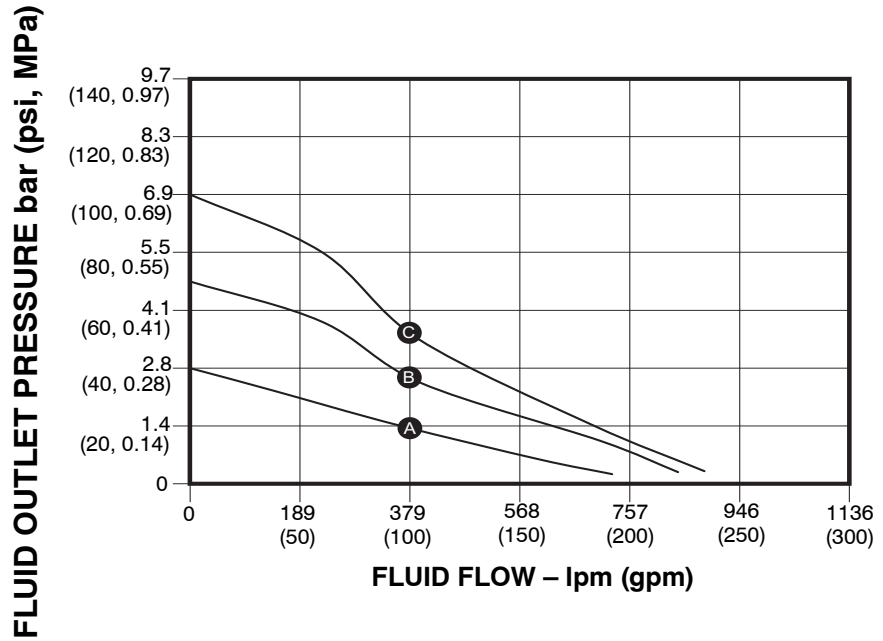
ti35691a

- A 98.1 cm (38.63 in)
- B 54.5 cm (21.44 in)
- C 43.8 cm (17.25 in)
- D 13.5 cm (5.33 in)
- E 80.0 cm (31.51 in)

- F 60.5 cm (23.83 in)
- G 37.1 cm (14.6 in)
- H 53.4 cm (21.04 in)

Weight: 56.2 kg (124 lbs)

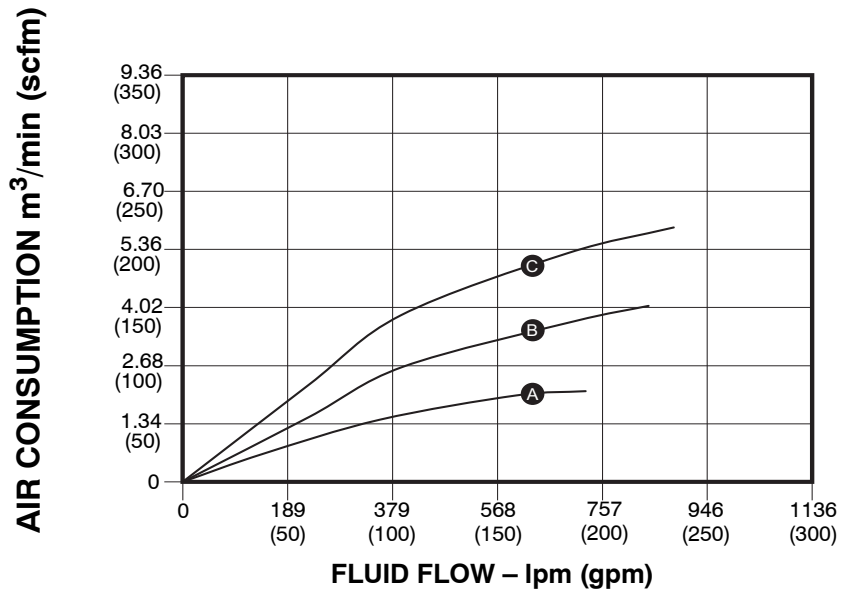
Performance Chart



Pump tested in water with inlet submerged

AIR PRESSURE

- C 7 bar air (100 psi, 0.7 MPa)
- B 4.8 bar air (70 psi, 0.48 MPa)
- A 2.8 bar air (40 psi, 0.28 MPa)



To find Fluid Outlet Pressure

(bar/psi/MPa) at a specific fluid flow (lpm/gpm) and operating air pressure (bar/psi/MPa):

1. Locate fluid flow rate along bottom of chart.
2. Follow vertical line up to intersection with selected fluid outlet pressure curve.
3. Follow left to scale to read fluid outlet pressure.

To find Pump Air Pressure

(m³/min or scfm) at a specific fluid flow (lpm/gpm) and operating air pressure (bar/psi/MPa):

1. Locate fluid flow rate along bottom of chart.
2. Read vertical line up to intersection with selected air consumption curve.
3. Follow left to scale to read fluid outlet pressure.

Technical Data

Verder HI-CLEAN Diaphragm Pump, Model VA-2H80HE		
	US	Metric
Maximum fluid working pressure	100 psi	0.7 MPa, 6.9 bar
Air pressure operating range	20 to 100 psi	0.14 to 0.7 MPa, 1.4 to 6.9 bar
Air inlet size	3/4 in. npt(f)	
Maximum suction lift (reduced if balls don't seat well due to damaged balls or seats, lightweight balls, or extreme speed of cycling)	Wet: 30 ft Dry: 10 ft	Wet: 9.1 m Dry: 3.0 m
Maximum size pumpable solids	3/4 in.	19 mm
Minimum ambient air temperature for operation and storage. NOTE: Exposure to extreme low temperatures may result in damage to plastic parts.	32° F	0° C
Fluid displacement per cycle	1.2 gallons	4.54 liters
Maximum free-flow delivery	230 gpm	870 lpm
Maximum pump speed	190 cpm	
Weight		
All models	124 lbs	56.2 kg
Fluid Inlet and Outlet Size		
Stainless Steel	3 in. sanitary flange or 80 mm DIN 11851, male thread	
Noise Data		
Sound Power (measured per ISO-9614-2)		
at 8.6 bar (125 psi) fluid pressure and full flow	106.1 dBa	
at 3.4 bar (50 psi) fluid pressure and 50 cpm	99.1 dBa	
Sound Pressure [tested 3.28 ft (1 m) from equipment]		
at 8.6 bar (125 psi) fluid pressure and full flow	98.2 dBa	
at 3.4 bar (50 psi) fluid pressure and 50 cpm	91.5 dBa	
Wetted Parts		
Wetted parts include material(s) chosen for seat, ball, and diaphragm options, 316 stainless steel		
Non-wetted parts		
Non-wetted external parts include nickel-plated aluminum, Nylon, 300-series stainless steel, 17-4 stainless steel, VHB acrylic		

Customer Services/Guarantee

CUSTOMER SERVICES

If you require spare parts, please contact your local distributor, providing the following details:

- Pump Model
- Type
- Serial Number, and
- Date of First Order.

GUARANTEE

All VERDER pumps are warranted to the original user against defects in workmanship or materials under normal use (rental use excluded) for two years after purchase date. This warranty does not cover failure of parts or components due to normal wear, damage or failure which in the judgement of VERDER arises from misuse.

Parts determined by VERDER to be defective in material or workmanship will be repaired or replaced.

LIMITATION OF LIABILITY

To the extent allowable under applicable law, VERDER's liability for consequential damages is expressly disclaimed. VERDER's liability in all events is limited and shall not exceed the purchase price.

WARRANTY DISCLAIMER

VERDER has made an effort to illustrate and describe the products in the enclosed brochure accurately; however, such illustrations and descriptions are for the sole purpose of identification and do not express or imply a warranty that the products are merchantable, or fit for a particular purpose, or that the products will necessarily conform to the illustration or descriptions.

PRODUCT SUITABILITY

Many regions, states and localities have codes and regulations governing the sale, construction, installation and/or use of products for certain purposes, which may vary from time in neighboring areas. While VERDER attempts to assure that its products comply with such codes, it cannot guarantee compliance, and cannot be responsible for how the product is installed or used. Before purchasing and using a product, please review the product application as well as the national and local codes and regulations, and be sure that product, installation, and use complies with them.

Original instructions. This manual contains English.
Revision A, August 2020

Austria

Verder Austria
Eitnergasse 21/Top 8
A-1230 Wien
AUSTRIA
Tel: +43 1 86 51 074 0
Fax: +43 1 86 51 076
e-mail: office@verder.at

Belgium

Verder nv
Kontichsesteenweg 17
B-2630 Aartselaar
BELGIUM
Tel: +32 3 877 11 12
Fax: +32 3 877 05 75
e-mail: info@verder.be

China

Verder Shanghai Instruments and Equipment Co., Ltd
Building 8 Fuhai Business Park No. 299
Bisheng Road, Zhangjiang Hiteck Park
Shanghai 201204
CHINA
Tel: +86 21 33932950
Fax: +86 21 33932955
e-mail: info@verder.cn

Bulgaria

Verder Bulgaria Ltd
Vitosh department,
Manastriski Livadi Zapad
district,
110 Bulgaria Blvd., 2-nd
Floor, apt. 15-16,
1618 - Sofia
BULGARIA
Tel: 0878407370
Fax: 02 9584085
email: office@verder.bg

Czech Republic

Verder s.r.o.
Vodnanská 651/6 (vchod
Chlumecka 15)
198 00 Praha 9-Kyje
CZECH REPUBLIC
Tel: +420 261 225 386-7
Web: <http://www.verder.cz>
e-mail: info@verder.cz

France

Verder France
8 Allée Rosa Luxembourg
Immeulde Arizona
95610 Eragny sur Oise
FRANCE
Tel: +33 173 43 98 41
Fax: +33 134 64 44 50
e-mail: info@verder.fr

Germany

Verder Deutschland GmbH
Retsch-Allee 1-5
42781 Haan
GERMANY
Tel: 02104/2333-200
Fax: 02104/2333-299
e-mail: info@verder.de

Hungary

Verder Hungary Kft
Budafoke ut 187 - 189
HU-1117 Budapest
HUNGARY
Tel: 0036 1 3651140
Fax: 0036 1 3725232
e-mail: info@verder.hu

India

Verder India Pumps Pvt
Ltd.
Plot No-3B, D-1 Block,
MIDC Chinchwad,
Pune - 411019
INDIA
e-mail: sales@verder.co.in
www.verder.co.in

Italy

Verder Italia
Via Maestri Del lavoro, 5
02100 Vazia, Rieti
ITALY
Tel: +39 07 46 229064
e-mail: info@verder.it

Korea

Verder Korea
15-26, Beodeul-ro 1362
Paltan-myun, Hwaseong-si
Gyeonggi-do, 18578
KOREA
Tel: +82 31 355 0316
e-mail: sales@verder.kr

The Netherlands

Verder BV
Leningradweg 5
NL 9723 TP Groningen
THE NETHERLANDS
Tel: +31 50 549 59 00
Fax: +31 50 549 59 01
e-mail: info@verder.nl

Poland

Verder Polska
ul.Porcelanowa 23
PL-40 036 Katowice
POLAND
Tel: +48 32 78 15 032
Fax: +48 32 78 15 034
e-mail: verder@verder.pl

Romania

Verder România
Drumul Balta Doamnei
no 57-61
Sector 3
CP 72-117
032624 Bucuresti
ROMANIA
Tel: +40 21 335 45 92
Fax: +40 21 337 33 92
e-mail: office@verder.ro

Slovak Republik

Verder Slovakia s.r.o.
Silacska 1
SK-831 02 Bratislava
SLOVAK REPUBLIK
Tel: +421 2 4463 07 88
Fax: +421 2 4445 65 78
e-mail: info@verder.sk

South Africa

Verder SA
197 Flaming Rock Avenue
Northlands Business Park
Newmarket Street
ZA Northriding
SOUTH AFRICA
Tel: +27 11 704 7500
Fax: +27 11 704 7515
e-mail: info@verder.co.za

Switzerland

Verder Deutschland GmbH
Sales Switzerland
Retsch-Allee 1-5
D-42781 Haan
GERMANY
Tel: +41 (0)61 331 33 13
Fax: +41 (0)61 331 63 22
e-mail: info@verder.ch

United Kingdom

Verder UK Ltd.
Unit 3 California Drive
Castleford, WF10 5QH
UNITED KINGDOM
Tel: +44 (0) 1924 221 001
Fax: +44 (0) 1132 465 649
e-mail: info@verder.co.uk

United States of America

Verder Inc.
312 Corporate Parkway
Suite 101
Macon, GA 31210
USA
Tel: +1 877 783 7337
Fax: +1 478 476 9867
e-mail:
sales@verderus.com