

### Description

The VA-C10 of the CONT-EX series is a very compact, air operated double diaphragm pump (AODD) produced out of 1 piece solid Conductive UHMW Polyethylene. The VA-C10 is used as general purpose pump for medium duty applications and as OEM pump. The pump is abrasive resistant and can be used in Atex environments.

### Your benefits

- Improved sealing design without extra support rings
- Abrasion resistant
- Robust (machined out of 1 solid piece, not injection moulded)
- Compact design (need less installation space)
- Can run dry without damage
- Dry self priming

### Technical data

Nominal port size	3/8" NPT(f)		
Air inlet connection	R 1/4"		
Weight (kg)	1,3		
Max. operating pressure (Bar)	7		
Max. Operating temperature (°C)	70		
Max. size pumpable solids (mm)	Code N° 2	EP, TF	2
		CV	0
Max. suction lift dry (mWc)	Code N° 2	EP, TF	0,5
		CV	0,7
Max. suction lift wet (mWc)		all	8
Max. recommended viscosity (mPas)	500		

### Code VA-C10 N°1 N°2 N°3

#### No.1 Housing and center section

⚠ GG = Conductive Polyethylene UHMW

#### No.2 Valves

EP = EPDM valve balls  
 TF = PTFE Valve balls  
 CV = PE Cylinder valves

#### No.3 Diaphragms

EO = EPDM overmolded  
 TO = PTFE/EPDM overmolded

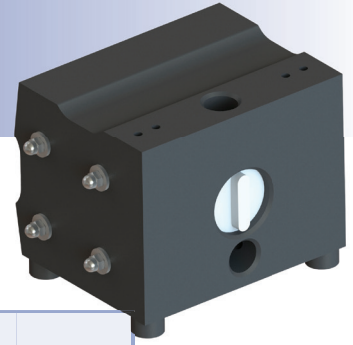
### EXAMPLE PUMP TYPE

**VA-C10 GG CV TO**

⚠ II 2 GD C T70°

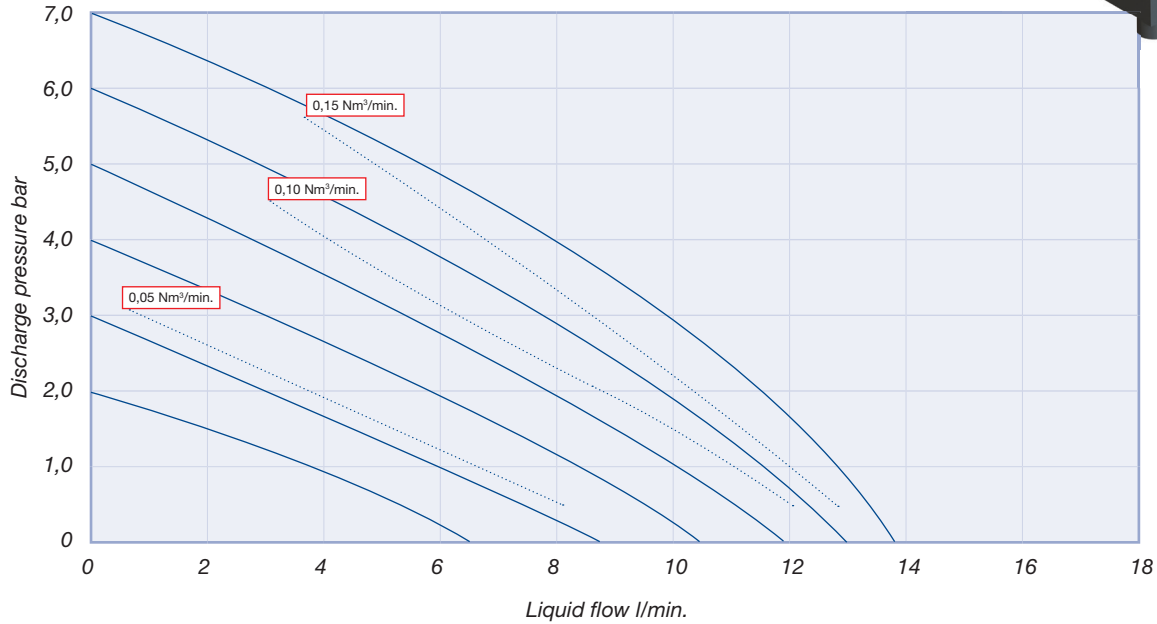
# Verderair

## VA-C10

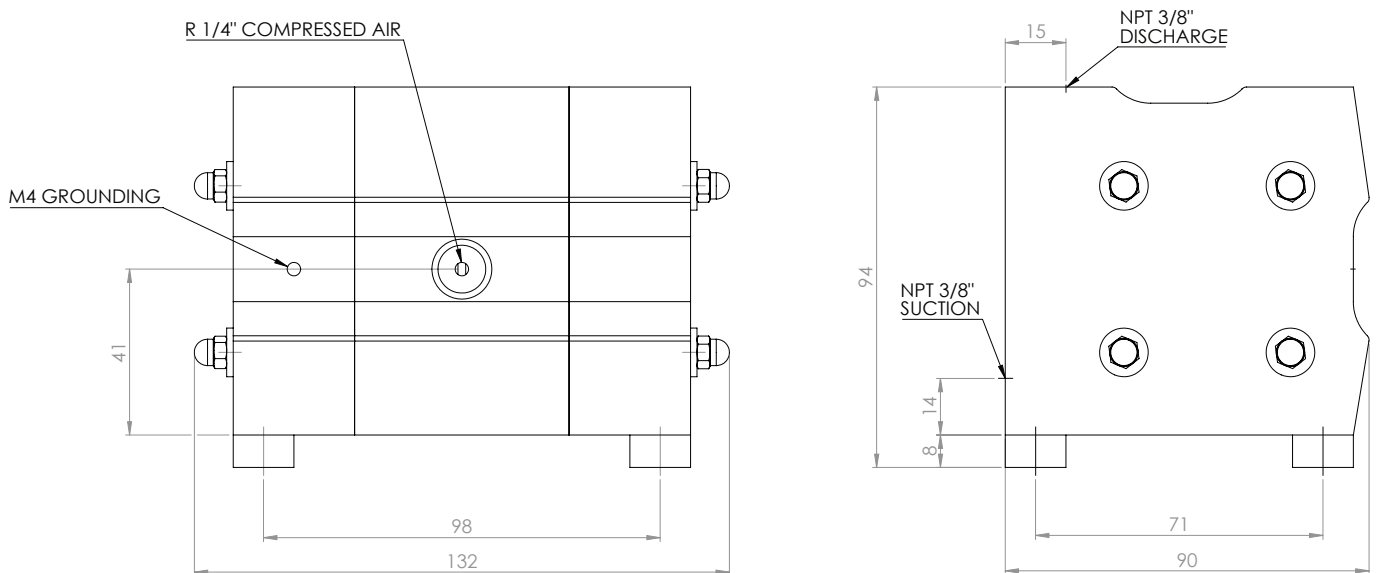


VERDERAIR®

### Performance curve

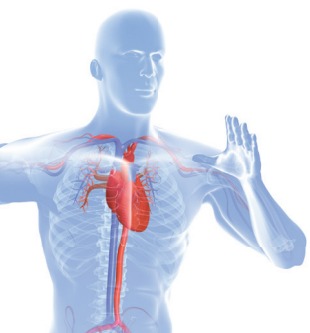


### Dimensions



All dimensions are in mm.  
All dimensions are for guidance only.

VA\_C10\_Technosheet\_rev01\_2016\_(eu)



Find your local supplier  
at [www.verderair.com](http://www.verderair.com)

For construction, installation and floor mounting drawings  
please contact your local authorised Verderair® distributor.

**VERDER**  
passion for pumps