

Verderair VA 25HP 2:1

Air-Operated Diaphragm Pump

859.0390
Rev.E
EN

1-inch high-pressure pump with modular air valve for fluid transfer applications. For professional use only.

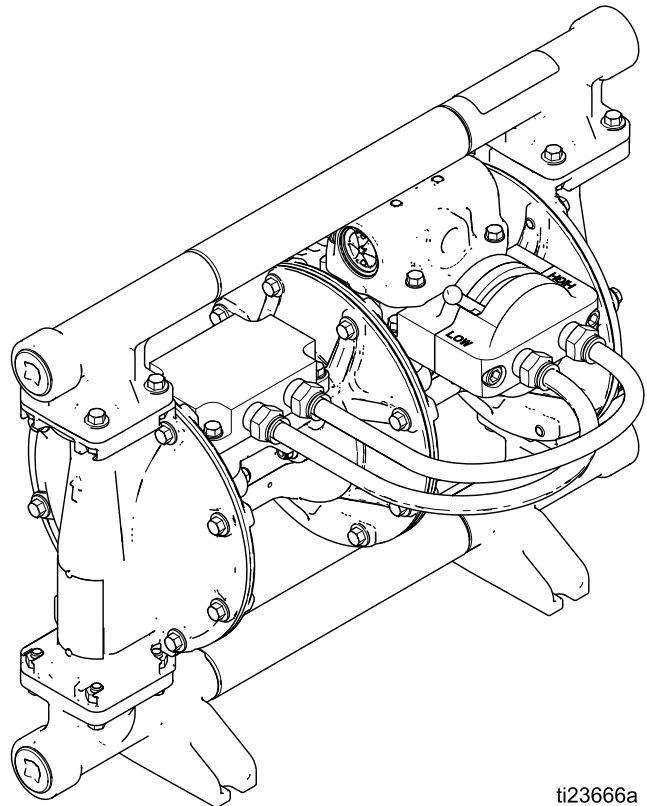


Important Safety Instructions

Read all warnings and instructions in this manual and in your Repair/Parts manual. **Save these instructions.**

Maximum Fluid Working Pressure:
17.2 bar (1.72 MPa, 250 psi)

Maximum Air Input Pressure:
8.6 bar (0.86 MPa, 125 psi)



ti23666a

Contents

Related Manuals	2	Flush the Pump Before First Use	12
Configuration Number Matrix	3	High/Low Lever	12
Warnings	4	Start and Adjust the Pump	13
Installation.....	7	Pump Shutdown	13
Tighten Fasteners Before Setup.....	7	Maintenance	14
Mounting	7	Maintenance Schedule	14
Grounding	7	Lubrication.....	14
Air Line.....	8	Tighten Threaded Connections	14
Air Exhaust Ventilation	9	Flushing and Storage	14
Fluid Supply Line	10	Torque Instructions	15
Fluid Outlet Line.....	10	Dimensions and Mounting	16
Fluid Inlet and Outlet Ports	10	Performance Charts.....	18
Typical Floor Mount Installation.....	11	Technical Data	20
Operation.....	12	Fluid Temperature Range	21
Pressure Relief Procedure.....	12	Customer Services/Guarantee.....	23
Tighten Fasteners Before Setup.....	12		

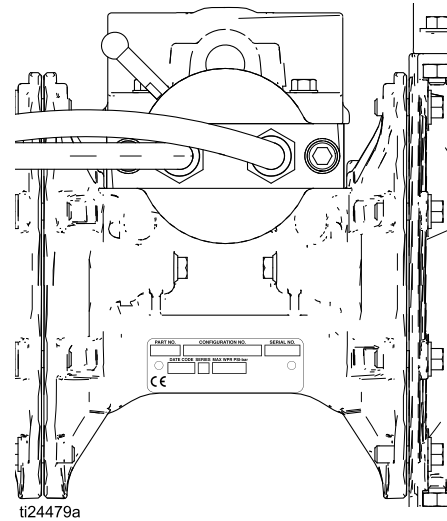
Related Manuals

Manual No.	Description
859.0391	Verderair VA 25HP 2:1 Air-Operated Diaphragm Pump, Repair/Parts

NOTE: For Troubleshooting information, see the Repair/Parts Manual 859.0391.

Configuration Number Matrix

Check the identification plate (ID) for the 20-digit Configuration Number of your pump. Use the following matrix to define the components of your pump.



Sample Configuration Number: VA25HPAA-SSSPSPTB00




VA 25HP	A	A	SS	SP	SP	TB	00
Pump Model	Fluid Section	Air Section	Seats	Balls	Diaphragms	Connections	Options








Pump	Fluid Section Material		Air Section Material		Check Valve Material	
VA 25HP	A	Aluminum	A	Aluminum	GE	Geolast
	S	Stainless Steel			SP	Santoprene
					SS	Stainless Steel








Check Valve Balls		Diaphragm Material		Connections		Options	
GE	Geolast	BN	Buna-N	TB	Threaded BSP	00	Standard
NW	Polychloroprene Weighted	NO	Polychloroprene Overmolded	TN	Threaded NPT		
SP	Santoprene	SP	Santoprene				
SS	Stainless Steel	TF	PTFE/Santoprene Two-Piece				

Warnings

The following warnings are for the setup, use, grounding, maintenance, and repair of this equipment. The exclamation point symbol alerts you to a general warning and the hazard symbols refer to procedure-specific risks. When these symbols appear in the body of this manual or on warning labels, refer back to these Warnings. Product-specific hazard symbols and warnings not covered in this section may appear throughout the body of this manual where applicable.

 <h2 style="margin: 0;">WARNING</h2>	
	<p>FIRE AND EXPLOSION HAZARD</p> <p>Flammable fumes, such as solvent and paint fumes, in work area can ignite or explode. To help prevent fire and explosion:</p> <ul style="list-style-type: none"> • Use equipment only in well ventilated area. • Eliminate all ignition sources; such as pilot lights, cigarettes, portable electric lamps, and plastic drop cloths (potential static arc). • Keep work area free of debris, including solvent, rags and gasoline. • Do not plug or unplug power cords, or turn power or light switches on or off when flammable fumes are present. • Ground all equipment in the work area. See Grounding instructions. • Use only grounded hoses. • Stop operation immediately if static sparking occurs or you feel a shock. Do not use equipment until you identify and correct the problem. • Keep a working fire extinguisher in the work area. • Route exhaust away from all ignition sources. If diaphragm ruptures, fluid may be exhausted with air.
	<p>PRESSURIZED EQUIPMENT HAZARD</p> <p>Fluid from the equipment, leaks, or ruptured components can splash in the eyes or on skin and cause serious injury.</p> <ul style="list-style-type: none"> • Follow the Pressure Relief Procedure when you stop spraying/dispensing and before cleaning, checking, or servicing equipment. • Tighten all fluid connections before operating the equipment. • Check hoses, tubes, and couplings daily. Replace worn or damaged parts immediately.

 <h1 style="margin: 0;">WARNING</h1>	
 	<p>EQUIPMENT MISUSE HAZARD</p> <p>Misuse can cause death or serious injury.</p> <ul style="list-style-type: none"> • Do not operate the unit when fatigued or under the influence of drugs or alcohol. • Do not exceed the maximum working pressure or temperature rating of the lowest rated system component. See Technical Data in all equipment manuals. • Use fluids and solvents that are compatible with equipment wetted parts. See Technical Data in all equipment manuals. Read fluid and solvent manufacturer’s warnings. For complete information about your material, request MSDS from distributor or retailer. • Do not leave the work area while equipment is energized or under pressure. • Turn off all equipment and follow the Pressure Relief Procedure when equipment is not in use. • Check equipment daily. Repair or replace worn or damaged parts immediately with genuine manufacturer’s replacement parts only. • Do not alter or modify equipment. Alterations or modifications may void agency approvals and create safety hazards. • Make sure all equipment is rated and approved for the environment in which you are using it. • Use equipment only for its intended purpose. Call your distributor for information. • Route hoses and cables away from traffic areas, sharp edges, moving parts, and hot surfaces. • Do not kink or over bend hoses or use hoses to pull equipment. • Keep children and animals away from work area. • Comply with all applicable safety regulations.
	<p>PRESSURIZED ALUMINUM PARTS HAZARD</p> <p>Use of fluids that are incompatible with aluminum in pressurized equipment can cause serious chemical reaction and equipment rupture. Failure to follow this warning can result in death, serious injury, or property damage.</p> <ul style="list-style-type: none"> • Do not use 1,1,1-trichloroethane, methylene chloride, other halogenated hydrocarbon solvents or fluids containing such solvents. • Do not use chlorine bleach. • Many other fluids may contain chemicals that can react with aluminum. Contact your material supplier for compatibility.
  	<p>THERMAL EXPANSION HAZARD</p> <p>Fluids subjected to heat in confined spaces, including hoses, can create a rapid rise in pressure due to the thermal expansion. Over-pressurization can result in equipment rupture and serious injury.</p> <ul style="list-style-type: none"> • Open a valve to relieve the fluid expansion during heating. • Replace hoses proactively at regular intervals based on your operating conditions.

 <h1 style="margin: 0;">WARNING</h1>	
 	<p>PLASTIC PARTS CLEANING SOLVENT HAZARD</p> <p>Many solvents can degrade plastic parts and cause them to fail, which could cause serious injury or property damage.</p> <ul style="list-style-type: none"> • Use only compatible water-based solvents to clean plastic structural or pressure-containing parts. • See Technical Data in this and all other equipment instruction manuals. Read fluid and solvent manufacturer’s MSDSs and recommendations.
 	<p>TOXIC FLUID OR FUMES HAZARD</p> <p>Toxic fluids or fumes can cause serious injury or death if splashed in the eyes or on skin, inhaled, or swallowed.</p> <ul style="list-style-type: none"> • Read MSDSs to know the specific hazards of the fluids you are using. • Route exhaust away from work area. If diaphragm ruptures, fluid may be exhausted into the air. • Store hazardous fluid in approved containers, and dispose of it according to applicable guidelines.
	<p>BURN HAZARD</p> <p>Equipment surfaces and fluid that’s heated can become very hot during operation. To avoid severe burns:</p> <ul style="list-style-type: none"> • Do not touch hot fluid or equipment.
	<p>PERSONAL PROTECTIVE EQUIPMENT</p> <p>Wear appropriate protective equipment when in the work area to help prevent serious injury, including eye injury, hearing loss, inhalation of toxic fumes, and burns. This protective equipment includes but is not limited to:</p> <ul style="list-style-type: none"> • Protective eyewear, and hearing protection. • Respirators, protective clothing, and gloves as recommended by the fluid and solvent manufacturer.

Installation

The [Typical Floor Mount Installation, page 11](#), is only a guide for selecting and installing system components. Contact your Verder representative for assistance in planning a system to suit your needs.

Tighten Fasteners Before Setup

Before using the pump for the first time, check and retorque all external fasteners. Follow [Torque Instructions, page 15](#). After the first day of operation, retorque the fasteners.

Mounting

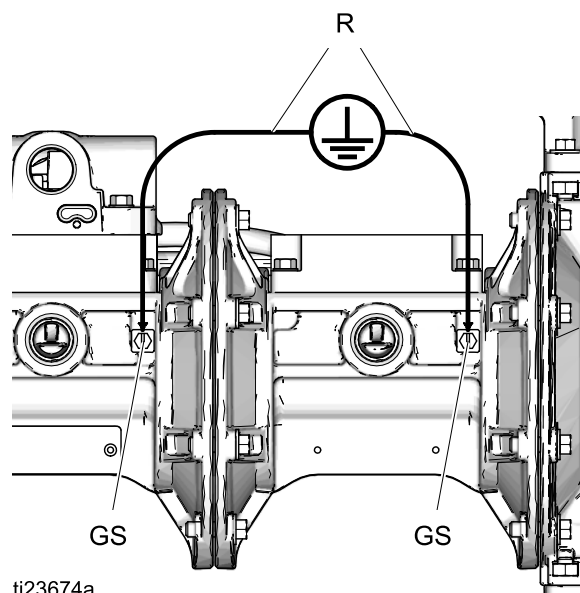
<ul style="list-style-type: none"> The pump exhaust air may contain contaminants. Ventilate to a remote area. See Air Exhaust Ventilation, page 9. Never move or lift a pump under pressure. If dropped, the fluid section may rupture. Always follow the Pressure Relief Procedure, page 12, before moving or lifting the pump. 				

1. Be sure the mounting surface can support the weight of the pump, hoses, and accessories, as well as the stress caused during operation.
2. For all mountings, be sure the pump is bolted directly to the mounting surface. Mount the pump horizontally, with the feet at the bottom of the pump. Do not mount the pump on a vertical surface, such as a wall.
3. For ease of operation and service, mount the pump so air valve, air inlet, fluid inlet and fluid outlet ports are easily accessible.

Grounding

<p>The equipment must be grounded to reduce the risk of static sparking. Static sparking can cause fumes to ignite or explode. Grounding provides an escape wire for the electric current.</p>				

- **Pump:** Loosen the grounding screws (GS). Insert one end of a 4 mm² (12 gauge) minimum ground wire (R) behind each grounding screw and tighten the screw securely. Connect the clamp end of the ground wire to a true earth ground. A ground wire and clamp, Part 819.0157, is available.



ti23674a
Figure 1 Grounding Screws and Wires

Installation

- **Air and fluid hoses:** Use only grounded hoses with a maximum of 150 m (500 ft) combined hose length to ensure grounding continuity.
- **Air compressor:** Follow manufacturer's recommendations.
- **Fluid supply container:** Follow your local code.

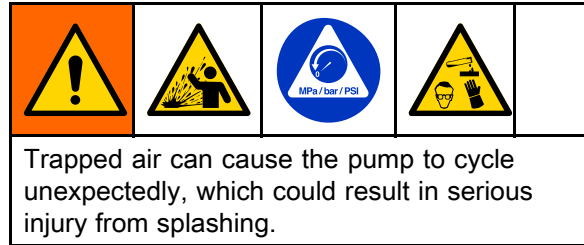
Check your system electrical continuity after the initial installation, and then set up a regular schedule for checking continuity to be sure proper grounding is maintained.

Air Line

See [Typical Floor Mount Installation, page 11](#)

1. Install an air filter/regulator (C). An air line filter removes harmful dirt and moisture from the compressed air supply. Use the regulator and gauge to control the fluid pressure. The fluid stall pressure will be the same as the setting of the air regulator.

2. Locate a bleed-type master air valve (B) close to the pump and use it to relieve trapped air. Be sure the valve is easily accessible from the pump and located downstream from the regulator.



3. Locate another master air valve (E) upstream from all air line accessories and use it to isolate them during cleaning and repair.
4. An adjustable inlet air valve or needle valve (G) may be installed for pump speed control.
5. Install a grounded, flexible air hose (A) between the accessories and the 3/4 npt(f) pump air inlet (D). Use a minimum 16 mm (5/8 in.) ID air hose.

Air Exhaust Ventilation

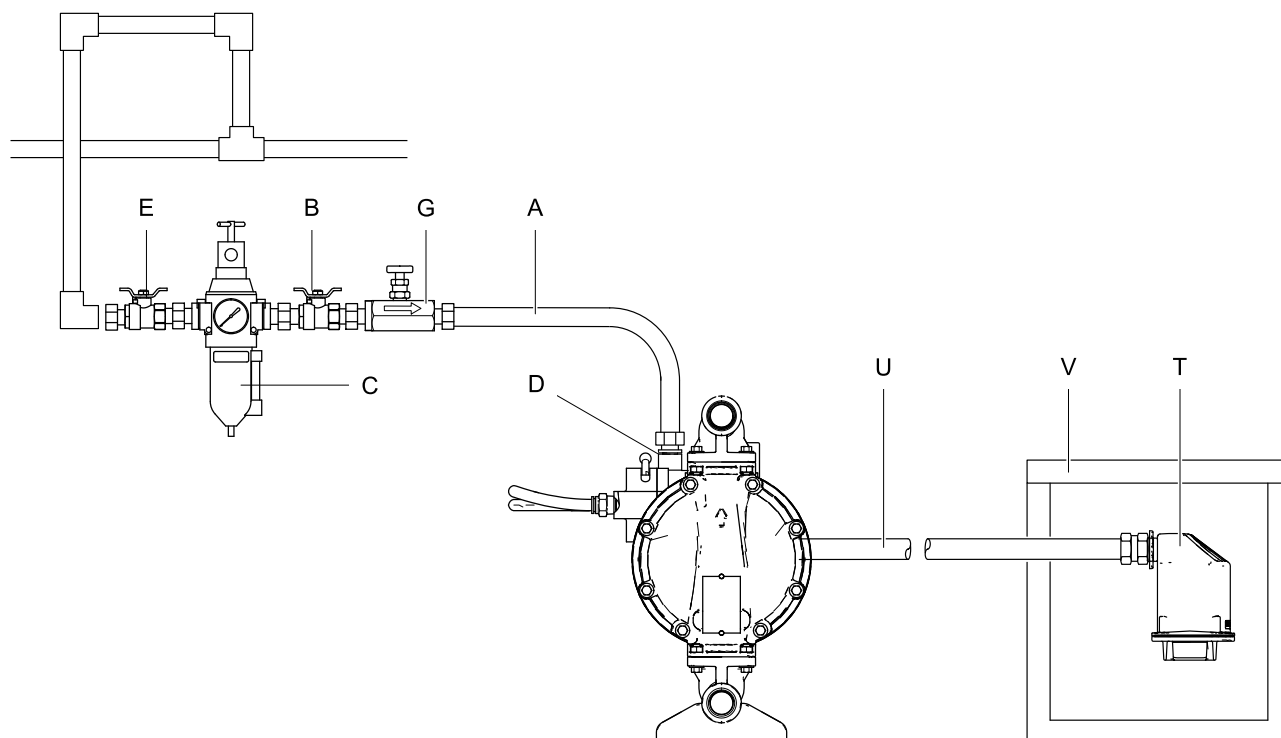


The air exhaust port is 3/4 npt(f). Do not restrict the air exhaust port. Excessive exhaust restriction can cause erratic pump operation.

To provide a remote exhaust:

1. Remove the muffler (T) from the pump air exhaust port.

2. Install a grounded air exhaust hose (U). Connect the muffler (T) to the other end of the hose. The minimum size for the air exhaust hose is 19 mm (3/4 in.) ID. If a hose longer than 4.57 m (15 ft) is required, use a larger diameter hose. Avoid sharp bends or kinks in the hose.
3. Place a container at the end of the air exhaust line to catch fluid in case a diaphragm ruptures. If the diaphragm ruptures, the fluid being pumped will exhaust with the air.



ti23675a

Figure 2 Vent exhaust air

KEY

- | | |
|---|---|
| <p>A Air supply line</p> <p>B Bleed-type master air valve</p> <p>C Air filter/regulator</p> <p>D Air inlet</p> <p>E Master air valve (for accessories)</p> | <p>G Optional needle valve for pump speed adjustment.</p> <p>T Muffler</p> <p>U Grounded air exhaust hose</p> <p>V Container for remote air exhaust</p> |
|---|---|

Fluid Supply Line

See [Typical Floor Mount Installation, page 11](#)

1. Use grounded flexible, fluid supply hoses (G). See [Grounding, page 7](#).
2. If the inlet fluid pressure to the pump is more than 25% of the outlet working pressure, the ball check valves will not close fast enough, resulting in inefficient pump operation.
3. Excessive inlet fluid pressure also will shorten diaphragm life. Approximately 0.2-0.3 bar (0.02-0.03 MPa, 3 - 5 psi) should be adequate for most materials.
4. For maximum suction lift (wet and dry), see [Technical Data, page 20](#). For best results, always install the pump as close as possible to the material source.

Fluid Outlet Line

See [Typical Floor Mount Installation, page 11](#).

1. Use grounded, flexible fluid hoses (L). See [Grounding, page 7](#).
2. Install a fluid drain valve (J) near the fluid outlet.
3. Install a shutoff valve (K) in the fluid outlet line.

Fluid Inlet and Outlet Ports

NOTE: Remove and reverse the manifold(s) to change the orientation of inlet or outlet port(s). Follow [Torque Instructions, page 15](#).

VA 25HP — Aluminum Manifolds

The fluid inlet and outlet manifolds each have two 1 in. npt(f) or bspt threaded ports (M, N). Close off the unused port using the supplied plugs.

VA 25HP— Stainless Steel Manifolds

The fluid inlet and outlet manifolds each have one 1 in. npt(f) or bspt port.

Typical Floor Mount Installation

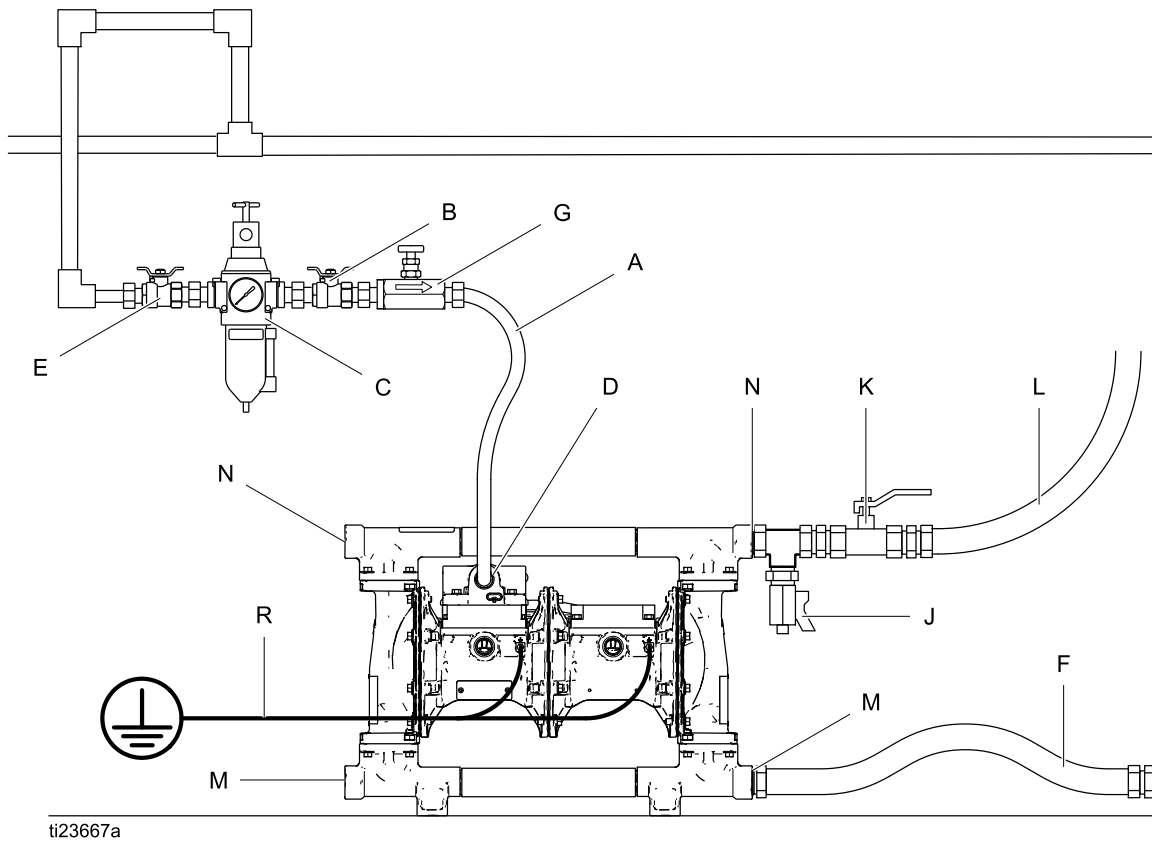


Figure 3 Typical floor mount installation

KEY

- | | |
|---|--|
| A Air supply line | J Fluid drain valve (required) |
| B Bleed-type master air valve (required for pump) | K Fluid shutoff valve |
| C Air filter and regulator | L Flexible fluid outlet hose |
| D Air inlet | M Fluid inlet (2 ports on aluminum manifolds, 1 port on SST manifolds) |
| E Master air valve (for accessories) | N Fluid outlet (2 ports on aluminum manifolds, 1 port on SST manifolds) |
| F Flexible fluid suction hose | R Ground wire (required; see Grounding, page 7). |
| G Optional needle valve for pump speed adjustment. | |

Operation

Pressure Relief Procedure

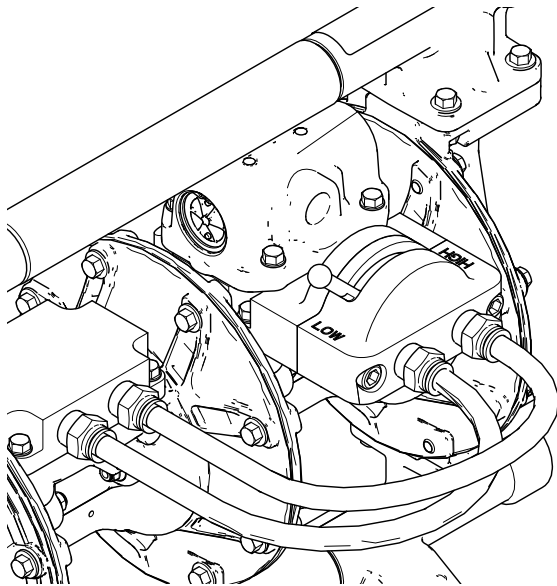


Follow the Pressure Relief Procedure whenever you see this symbol.



This equipment stays pressurized until pressure is relieved manually. To help prevent serious injury from pressurized fluid, such as splashing in the eyes or on skin, follow the Pressure Relief Procedure when you stop pumping and before you clean, check, or service the equipment.

1. Shut off the air supply to the pump.
2. Open the dispensing valve, if used.
3. Shift the high/low pressure lever back and forth two times. Leave the lever in the “Low” position as shown.



ti23687a

Figure 4 High/Low Pressure Lever

4. Open the fluid drain valve (installed on the system) to relieve all fluid pressure. Have a container ready to catch the drainage.

Tighten Fasteners Before Setup

Before using the pump for the first time, check and retorque all external fasteners. Follow [Torque Instructions, page 15](#). After the first day of operation, retorque the fasteners.

Flush the Pump Before First Use

The pump was tested in water. If water could contaminate the fluid you are pumping, flush the pump thoroughly with a compatible solvent. See [Flushing and Storage, page 14](#).

High/Low Lever

Use the High/Low lever to set the desired pressure mode. When the lever is set to “Low,” the fluid outlet pressure is slightly less than the air inlet pressure. When the lever is set to “High,” the fluid outlet pressure is slightly less than two times the inlet air pressure. Note that the High pressure setting increases both fluid outlet pressure and inlet air consumption.

NOTE: The lever must be fully seated into the High or Low position for proper operation.

Start and Adjust the Pump

1. Be sure the pump is properly grounded. Refer to [Grounding, page 7](#).
2. Ensure the High/Low pressure lever is in the "Low" position before starting the pump.
3. Check all fittings to be sure they are tight. Use a compatible liquid thread sealant on all male threads. Tighten fluid inlet and outlet fittings securely.
4. Place the suction tube (if used) in the fluid to be pumped.

NOTE: If fluid inlet pressure to the pump is more than 25% of outlet working pressure, the ball check valves will not close fast enough, resulting in inefficient pump operation.

NOTICE
Excessive fluid inlet pressure can reduce diaphragm life and may result in pump damage.

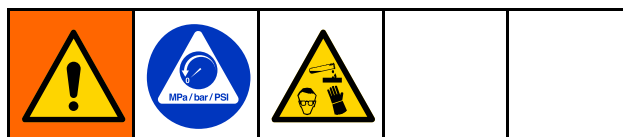
5. Place the end of the fluid hose into an appropriate container.
6. Close the fluid drain valve.
7. Turn the air regulator knob to 0. Open all bleed-type master air valves.
8. If the fluid hose has a dispensing device, hold it open.

9. Slowly increase air pressure with the air regulator until the pump starts to cycle. Allow the pump to cycle slowly until all air is pushed out of the lines and the pump is primed.

NOTE: Use lowest possible air pressure to prime, just enough to cycle the pump. If the pump does not prime as expected, turn air pressure **DOWN**.

10. If you are flushing, run the pump long enough to thoroughly clean the pump and hoses.
11. Close the dispensing valve, if used.
12. Close the bleed-type master air valve.

Pump Shutdown



At the end of the work shift and before you check, adjust, clean or repair the system, follow the [Pressure Relief Procedure, page 12](#).

Maintenance

Maintenance Schedule

Establish a preventive maintenance schedule, based on the pump's service history. Scheduled maintenance is especially important to prevent spills or leakage due to diaphragm failure.

Lubrication

The pump is lubricated at the factory. It is designed to require no further lubrication for the life of the pump. An inline lubricator is not needed, and is not recommended, under normal operating conditions.

Tighten Threaded Connections

Before each use, check all hoses for wear or damage, and replace as necessary. Check to be sure all threaded connections are tight and leak-free. Check fasteners. Tighten or retorque as necessary. Although pump use varies, a general guideline is to retorque fasteners every two months. See [Torque Instructions, page 15](#).

Flushing and Storage



- Flush before fluid can dry in the equipment, at the end of the day, before storing, and before repairing equipment.
- Flush at the lowest pressure possible. Check connectors for leaks and tighten as necessary.
- Flush with a fluid that is compatible with the fluid being dispensed and the equipment wetted parts.

Flush the pump often enough to prevent the fluid you are pumping from drying or freezing in the pump and damaging it. Use a compatible solvent.

Always flush the pump and relieve the pressure before storing it for any length of time.

Torque Instructions

NOTE: All fasteners for the fluid covers, center diaphragm joint, and manifolds have a thread-locking adhesive patch applied to the threads. If this patch is excessively worn, the fasteners may loosen during operation. Replace screws with new ones or apply medium-strength (blue) Loctite or equivalent to the threads.

If fluid cover, center diaphragm joint, or manifold fasteners have been loosened, it is important to torque them using the following procedure to improve sealing.

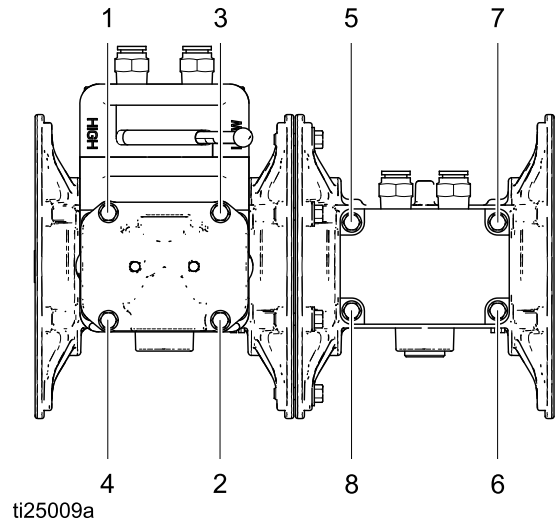
NOTE: Always completely torque the fluid covers and center diaphragm joint before torquing the manifolds.

Start all fluid cover or center diaphragm joint screws a few turns. Then turn down each screw just until head contacts cover. Then turn each screw by 1/2 turn or less working in a crisscross pattern to specified torque. Repeat for manifolds.

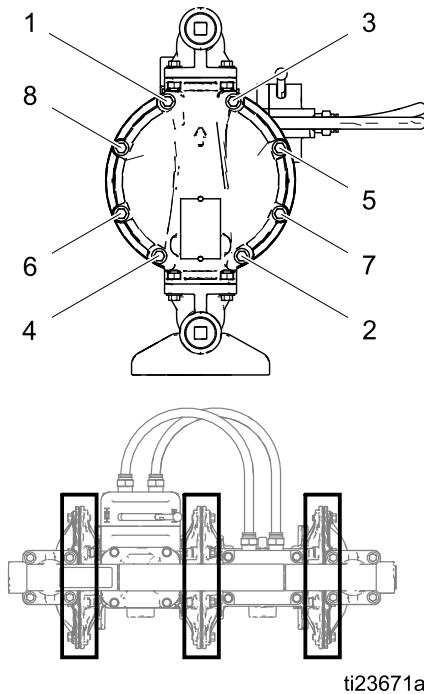
Fluid cover, center diaphragm joint, and manifold fasteners: 11.3 N•m (100 in-lb)

Lubricate air valve fasteners prior to reassembly to prevent galling. Retorque the air valve fasteners in a crisscross pattern to specified torque.

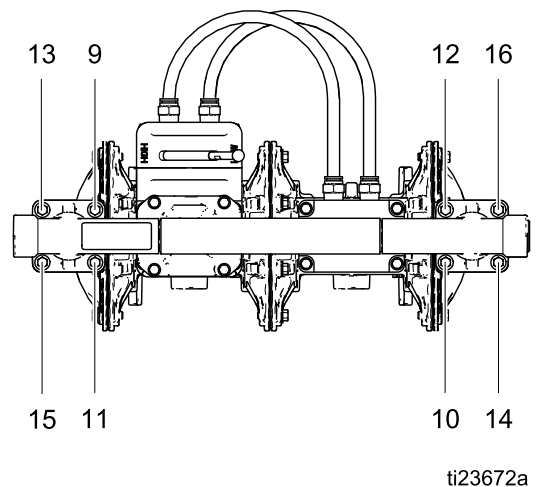
Air valve fasteners: 9.0 N•m (80 in-lb)



Air Valve Fasteners



Fluid Covers and Center Diaphragm Joint



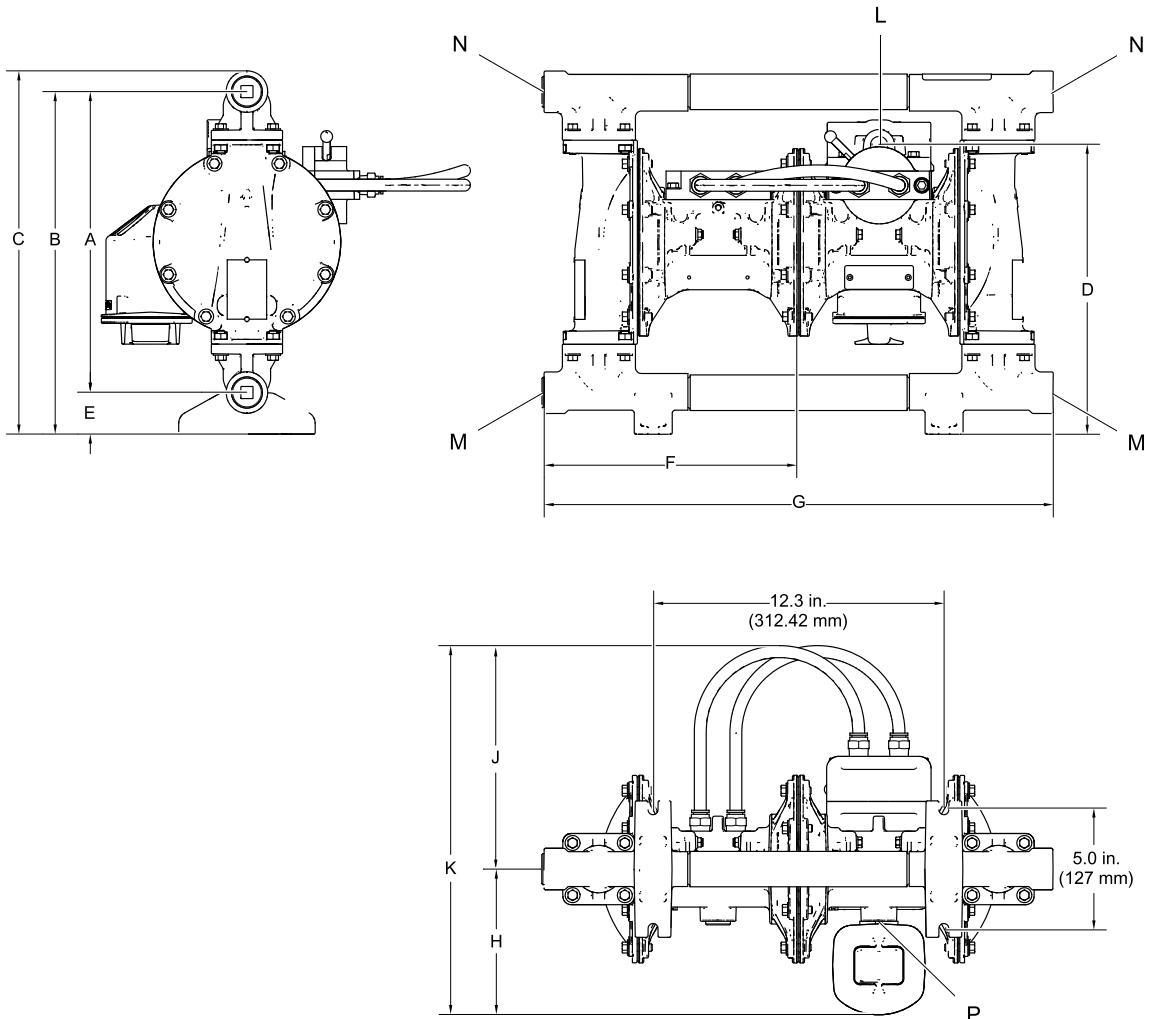
Manifolds

Dimensions and Mounting

KEY

	Aluminum	SST		Aluminum and SST
A	323 mm (12.7 in)	300 mm (11.8 in)	H	157 mm (6.2 in)
B	366 mm (14.4 in)	328 mm (12.9 in)	J	239 mm (9.4 in)
C	389 mm (15.3 in)	348 mm (13.7 in)	K	396 mm (15.6 in)
D	277 mm (10.9 in)	241 mm (9.5 in)	L	3/4 npt(f) Air Inlet
E	46 mm (1.8 in)	28 mm (1.1 in)	M	1 in npt(f) or 1 in. bspt Fluid Inlet (2 for aluminum manifolds; 1 for SST manifolds)
F	274 mm (10.8 in)	272 mm (10.7 in)	N	1 in npt(f) or 1 in. bspt Fluid Outlet (2 for aluminum manifolds; 1 for SST manifolds)
G	546 mm (21.5 in)	523 mm (20.6 in)	P	3/4 npt(f) Air Exhaust Port

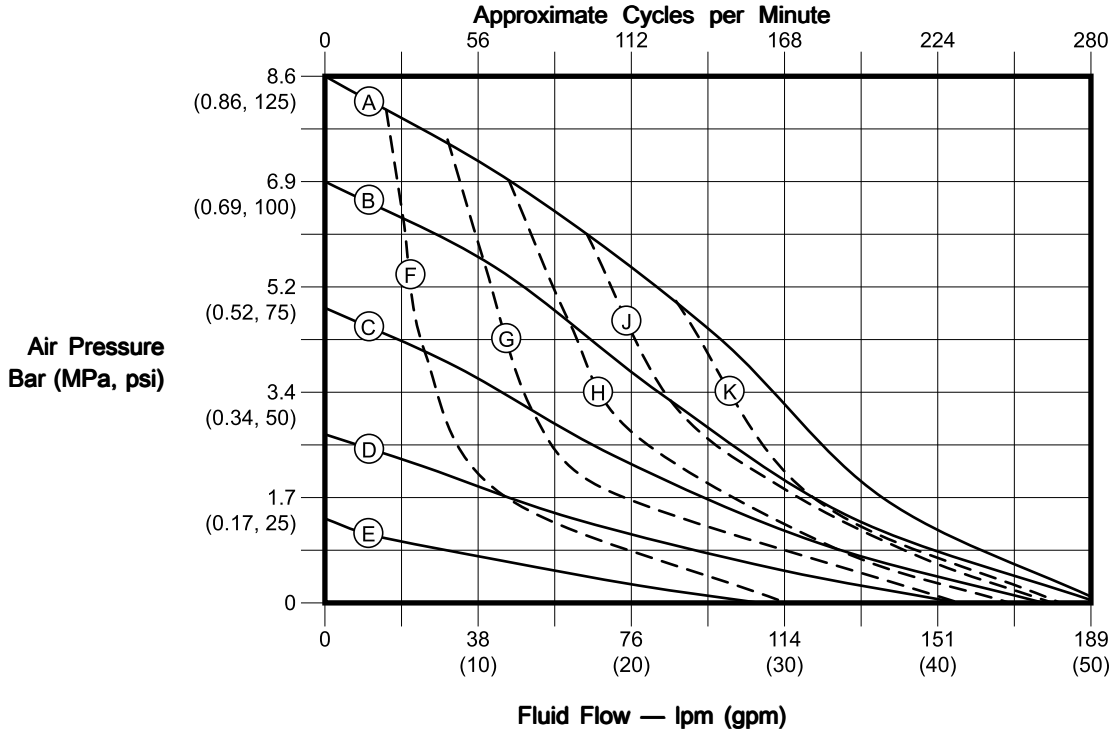
NOTE: All dimensions are approximate.



ti23673a

Performance Charts

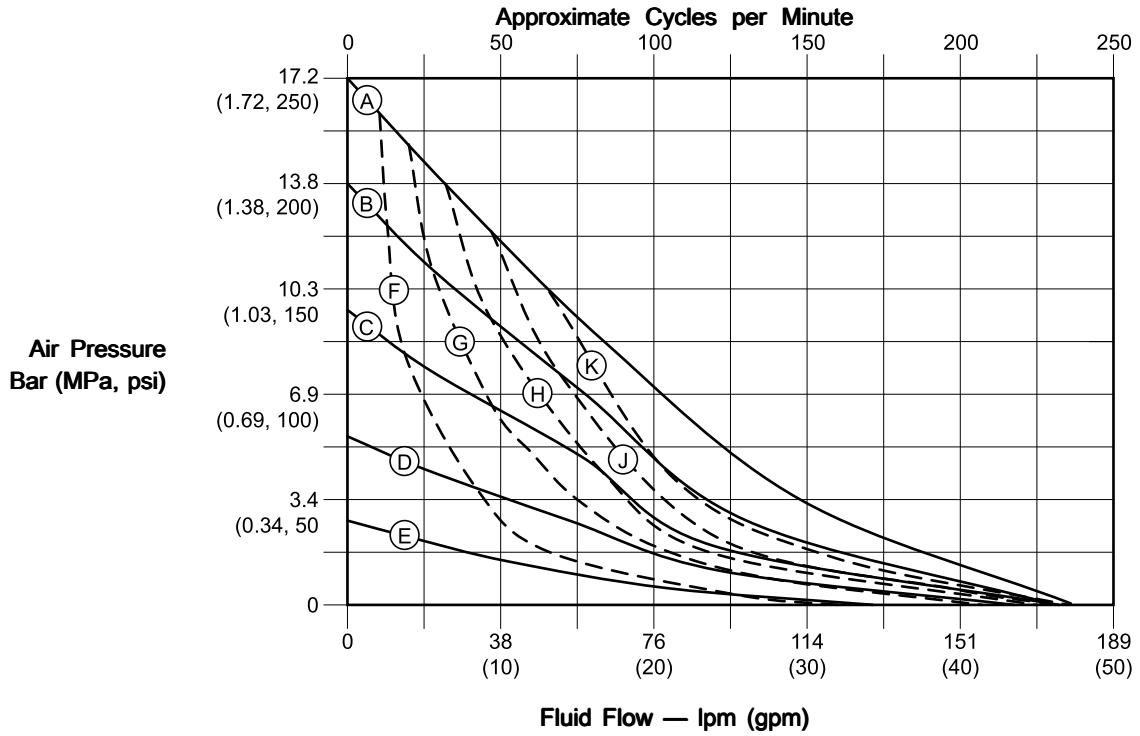
Low Pressure Setting



Air Inlet Pressure	
A	8.6 bar (0.86 MPa, 125 psi)
B	6.9 bar (0.69 MPa, 100 psi)
C	5.2 bar (0.52 MPa, 75 psi)
D	3.4 bar (0.34 MPa, 50 psi)
E	1.7 bar (0.17 MPa, 25 psi)

Air Consumption	
F	0.28 Nm ³ /min (10 scfm)
G	0.57 Nm ³ /min (20 scfm)
H	0.85 Nm ³ /min (30 scfm)
J	1.13 Nm ³ /min (40 scfm)
K	1.42 Nm ³ /min (50 scfm)

High Pressure Setting



Air Inlet Pressure

- A**
8.6 bar (0.86 MPa, 125 psi)
- B**
6.9 bar (0.69 MPa, 100 psi)
- C**
4.8 bar (0.48 MPa, 70 psi)
- D**
2.8 bar (0.28 MPa, 40 psi)
- E**
1.4 bar (0.14 MPa, 20 psi)

Air Consumption

- F**
0.42 Nm³/min (15 scfm)
- G**
0.85 Nm³/min (30 scfm)
- H**
1.27 Nm³/min (45 scfm)
- J**
1.70 Nm³/min (60 scfm)
- K**
2.12 Nm³/min (75 scfm)

Technical Data

	US	Metric
Maximum fluid working pressure	250 psi	17.2 bar, 1.72 MPa
Air pressure operating range (Startup pressure may vary based on environmental conditions.)	20-125 psi	1.4-8.6 bar, 0.14-0.86 MPa
Fluid displacement per cycle		
Low Pressure Setting	0.17 g	0.64 l
High Pressure Setting	0.20 g	0.76 l
Air consumption		
	at 70 psi, 20 gpm	at 4.8 bar, 76 lpm
Low Pressure Setting	26 scfm	0.7 cubic meters per minute
High Pressure Setting	51 scfm	1.4 cubic meters per minute
Maximum values with water as media under submerged inlet conditions at ambient temperature:		
Maximum air consumption		
Low Pressure Setting	59 scfm	1.7 cubic meters per minute
High Pressure Setting	95 scfm	2.7 cubic meters per minute
Maximum free-flow delivery		
Low Pressure Setting	50 gpm	189 lpm
High Pressure Setting	46 gpm	174 lpm
Maximum pump speed		
Low Pressure Setting	280 cpm	
High Pressure Setting	225 cpm	
Maximum suction lift (varies widely based on ball/seat selection and wear, operating speed, material properties, and other variables)	16 ft dry, 29 ft wet	4.9 m dry 8.8 m wet
Maximum size pumpable solids	1/8 in	3.2 mm
Recommended cycle rate for continuous use	93-140 cpm (in Low or High pressure setting)	
Recommended cycle rate for circulation systems	20 cpm (in Low or High pressure setting)	
Air inlet size	3/4 npt(f)	
Fluid inlet size	1 in. npt(f) or 1 in. bspt	
Fluid outlet size	1 in. npt(f) or 1 in. bspt	
Weight	48 lb (aluminum manifolds) 60 lb (SST manifolds)	21.8 kg (aluminum manifolds) 27.2 kg (SST manifolds)

Sound Power (measured per ISO-9614-2)	
At 4.8 bar (0.48 MPa, 70 psi) and 50 cpm	
Low Pressure Setting	78 dBa
High Pressure Setting	91 dBa
At 7.0 bar (0.7 MPa, 100 psi) and full flow	
Low Pressure Setting	90 dBa
High Pressure Setting	102 dBa
Sound Pressure (tested 1 m [3.28 ft] from equipment)	
At 4.8 bar (0.48 MPa, 70 psi) and 50 cpm	
Low Pressure Setting	84 dBa
High Pressure Setting	96 dBa
At 7.0 bar (0.7 MPa, 100 psi) and full flow	
Low Pressure Setting	84 dBa
High Pressure Setting	96 dBa
Wetted parts	aluminum or stainless steel, plus the material(s) chosen for seat, ball, and diaphragm options.
Non-wetted external parts	aluminum, coated carbon steel

Fluid Temperature Range

NOTICE
Temperature limits are based on mechanical stress only. Certain chemicals will further limit the fluid operating temperature range. Stay within the temperature range of the most-restricted wetted component. Operating at a fluid temperature that is too high or too low for the components of your pump may cause equipment damage.

Diaphragm/Ball Material	Fluid Temperature Range	
	Fahrenheit	Celsius
Buna-N (BN)	10° to 180°F	-12° to 82°C
Geolast (GE)	-40° to 150°F	-40° to 66°C
Polychloroprene overmolded diaphragm (CO) or Polychloroprene check balls (CW)	0° to 180°F	-18° to 82°C
2-Piece PTFE/Santoprene Diaphragm	40° to 180°F	4° to 82°C
Santoprene® (SP)	-40° to 180°F	-40° to 82°C



EU-DECLARATION OF CONFORMITY

EU-CONFORMITEITSVERKLARING, DÉCLARATION UE DE CONFORMITÉ, EU-KONFORMITÄTSEKTLÄRUNG DICHIARAZIONE DI CONFORMITÀ UE, EU-OVERENSSTEMMELSESEKTLÆRING, ΔΗΛΩΣΗ ΣΥΜΜΟΡΦΩΣΗΣ ΕΕ, DECLARAÇÃO UE DE CONFORMIDADE, DECLARACIÓN UE DE CONFORMIDAD, EU-VAATIMUSTENMUKAISUUSVAKUUTUS, EU-FÖRSÄKRAN OM ÖVERENSSTÄMMELSE, EU PROHLÁŠENÍ O SHODĚ, ELI VASTAVUSDEKLARATSIOON, EU-MEGFELELŐSÉGI NYILATKOZAT, ES ATBILSTĪBAS DEKLARĀCIJA, ES ATITIKTIES DEKLARACIJA DEKLARACIJA ZGDONOSCI UE, DIKJARAZZJONI TA' KONFORMITÀ TAL-UE, EU IZJAVA O SUKLADNOSTI, EU VYHLÁSENIE O ZHODE, ЕС ДЕКЛАРАЦИЯ ЗА СЪОТВЕТСТВИЕ, DECLARAȚIA UE DE CONFORMITATE

Model

Modèle, Modell, Modello, Μοντέλο, Modelo, Malli, Mudel, Modelis, Mudell, Модел, Samhail

VERDERAIR VA 25 HP

Part

Bestelnr., Type, Teil, Codice, Del, Μέρος, Peça, Referencia, Osa, Součást, Részegység, Daja, Dalis, Część, Taqsim, Čast, Част, Páirt, Parte

850.8354 850.8355 850.8358 850.8359
850.8360 850.8361 850.8362

Complies With The EC Directives:

Voldoet aan de EG-richtlijnen, Conforme aux directives CE, Entspricht den EG-Richtlinien, Conforme alle direttive CE, Overholder EF-direktiverne, Σύμφωνα με ης Οδηγίες ης ΕΚ, Em conformidade com as Directivas CE, Cumpre las directivas de la CE, Täyttää EY-direktiivien vaatimukset, Uppfyller EG-direktiven, Shoda se směrnicemi ES, Vastab EÜ direktiividele, Kielégíti az EK irányelvek követelményeit, Atbilst EK direktīvām, Atitinka šias ES direktyvas, Zgodność z Dyrektywami UE, Konformi mad-Direttivi tal-KE, V skladu z direktivami ES, Je v súlade so smernicami ES, Съвместимост с Директиви на ЕО, Tá ag teacht le Teoracha an CE, Respectă directivele CE

2006/42/EC Machinery Safety Directive

2014/34/EC ATEX Directive (Ex II 2 GD c IIC T4) – Tech File TF0900 stored with NB 0359

Standards Used:

Gebruikte maatstaven, Normes respectées, Verwendete Normen, Norme applicate, Anvendte standarder, Πρότυπα που τηρούνται, Normas utilizadas, Normas aplicadas, Sovellettavat standardit, Tillämpade standarder, Použité normy, Rakendatud standardid, Alkalmazott szabványok, Izmantotie standarti, Taikyti standartai, Użyte normy, Standards Uzati, Uporabljene standardi, Použité normy, Използвани стандарти, Caighdeán arna n-úsáid, Standarde utilizate

ISO12100 EN 13463-5
ISO 9614-2 EN 1127-1 EN 13403-1

Notified Body for Directive

Aangemelde instantie voor richtlijn, Organisme notifié pour la directive, Benannte Stelle für diese Richtlinie, Ente certificatore della direttiva, Bemyndiget organ for direktiv, Διακοινωμένο όργανο Οδηγίας, Organismo notificado relativamente à directiva, Organismo notificado de la directiva, Direktiivin mukaisesti ilmoitettu tarkastuslaitos, Anmält organ för direktivet, Úředně oznámený orgán pro směrnici, Teavitatud asutus (direktiivi järgi), Az irányelvrrel kapcsolatban értesített testület, Pilnvarotā iestāde saskaņā ar direktīvu, Apie direktīvu informuota institūcija, Ciało powiadomione dla Dyrektywy, Korp avzāt bid-Direttiva, Priglašeni organ za direktivo, Notifikovaný orgán pre smernicu, Нотифициран орган за Директива, Comhlacht ar tugadh fógra dó, Organism notificat în conformitate cu directiva

--	--	--

Approved By:

Goedgekeurd door, Approuvé par, Genehmigt von, Approvato da, Godkendt af, Έγκριση από, Aprobado por, Aprobado por, Hyväksynyt, Intygat av, Schwälil, Kinnitanud, Jövähagyta, Apstiprināts, Patvirtino, Zatwierdzone przez, Approvat minn, Odobril, Schwäléné, Одобрено от, Faofa ag, Aprobat de

Werner Bosman
Managing Director

22 February 2017

VERDER BV
Leningradweg 5
9723 TP Groningen
NETHERLANDS

859.0396	D
-----------------	----------

This declaration of conformity is issued under the sole responsibility of the manufacturer. Deze conformiteitsverklaring wordt verstrekt onder volledige verantwoordelijkheid van de fabrikant. La présente déclaration de conformité est établie sous la seule responsabilité du fabricant. Die alleinige Verantwortung für die Ausstellung dieser Konformitätserklärung trägt der Hersteller. La presente dichiarazione di conformità è rilasciata sotto la responsabilità esclusiva del fabbricante. Denne overensstemmelseerklæring udstedes på fabrikantens ansvar. Η παρούσα δήλωση συμμόρφωσης εκδίδεται με αποκλειστική ευθύνη του κατασκευαστή. A presente declaração de conformidade é emitida sob a exclusiva responsabilidade do fabricante. La presente declaración de conformidad se expide bajo la exclusiva responsabilidad del fabricante. Tämä vaatimustenmukaisuusvakuutus on annettu valmistajan yksinomaisella vastuulla. Denna försäkrän om överensstämmelse utfärdas på tillverkarens eget ansvar. Toto prohlášení o shodě se vydává na výhradní odpovědnost výrobce. Käesolev vastavusdeklaratsioon on välja antud tootja ainuvastutusel. Ezt a megfelelőségi nyilatkozatot a gyártó kizárólagos felelőssége mellett adják ki. Šī atbilstības deklarācija ir izdota vienīgi uz ražotāja atbildību. Ši atitikties deklarācija izdoata tik gamintojo atsakomybe. Niniejsza deklaracja zgodności wydana zostaje na wyłączną odpowiedzialność producenta. Din id-dikjarazzjoni tal-konformità qiegħda tinhareg taħt ir-responsabbiltà unika tal-manifattur. Ta izjava o skladnosti je izdana na lastno odgovornost proizvajalca. Toto vyhlásenie o zhode sa vydáva na výhradnú zodpovednosť výrobcu. Настоящата декларация за съответствие е издадена на отговорността на производителя. Prezenta declarație de conformitate este emisă pe răspunderea exclusivă a producătorului.

Customer Services/Guarantee

CUSTOMER SERVICES

If you require spare parts, please contact your local distributor, providing the following details:

- Pump Model
- Type
- Serial Number, and
- Date of First Order.

GUARANTEE

All VERDER pumps are warranted to the original user against defects in workmanship or materials under normal use (rental use excluded) for two years after purchase date. This warranty does not cover failure of parts or components due to normal wear, damage or failure which in the judgement of VERDER arises from misuse.

Parts determined by VERDER to be defective in material or workmanship will be repaired or replaced.

LIMITATION OF LIABILITY

To the extent allowable under applicable law, VERDER's liability for consequential damages is expressly disclaimed. VERDER's liability in all events is limited and shall not exceed the purchase price.

WARRANTY DISCLAIMER

VERDER has made an effort to illustrate and describe the products in the enclosed brochure accurately; however, such illustrations and descriptions are for the sole purpose of identification and do not express or imply a warranty that the products are merchantable, or fit for a particular purpose, or that the products will necessarily conform to the illustration or descriptions.

PRODUCT SUITABILITY

Many regions, states and localities have codes and regulations governing the sale, construction, installation and/or use of products for certain purposes, which may vary from those in neighboring areas. While VERDER attempts to assure that its products comply with such codes, it cannot guarantee compliance, and cannot be responsible for how the product is installed or used. Before purchasing and using a product, please review the product application as well as the national and local codes and regulations, and be sure that product, installation, and use complies with them.

Original instructions. This manual contains English.

Revision E, April 2017

Austria

Verder Austria
 Eitnergasse 21/Top 8
 A-1230 Wien
 AUSTRIA
 Tel: +43 1 86 51 074 0
 Fax: +43 1 86 51 076
 e-mail: office@verder.at

Belgium

Verder nv
 Kontichsesteenweg 17
 B-2630 Aartselaar
 BELGIUM
 Tel: +32 3 877 11 12
 Fax: +32 3 877 05 75
 e-mail: info@verder.be

China

Verder Shanghai Instruments and Equipment Co., Ltd
 Building 8 Fuhai Business Park No. 299
 Bisheng Road, Zhangjiang Hiteck Park
 Shanghai 201204
 CHINA
 Tel: +86 21 33932950
 Fax: +86 21 33932955
 e-mail: info@verder.cn

Bulgaria

Verder Bulgaria Ltd
 Vitosh department,
 Manastriski Livadi Zapad
 district,
 110 Bulgaria Blvd., 2-nd
 Floor, apt. 15-16,
 1618 - Sofia
 BULGARIA
 Tel: 0878407370
 Fax: 02 9584085
 email: office@verder.bg

Czech Republic

Verder s.r.o.
 Vodnanská 651/6 (vchod
 Chlumecka 15)
 198 00 Praha 9-Kyje
 CZECH REPUBLIC
 Tel: +420 261 225 386-7
 Web: <http://www.verder.cz>
 e-mail: info@verder.cz

Denmark

Verder A/S
 Sales Denmark
 Leningradweg 5
 NL 9723 TP Groningen
 THE NETHERLANDS
 Tel: +45 3636 4600
 e-mail: info@verder.dk

France

Verder France
 Parc des Bellevues,
 Rue du Gros Chêne
 F-95610 Eragny sur Oise
 FRANCE
 Tel: +33 134 64 31 11
 Fax: +33 134 64 44 50
 e-mail: verder-
 info@verder.fr

Germany

Verder Deutschland GmbH
 Retsch-Allee 1-5
 42781 Haan
 GERMANY
 Tel: 02104/2333-200
 Fax: 02104/2333-299
 e-mail: info@verder.de

Hungary

Verder Hungary Kft
 Budafoke ut 187 - 189
 HU-1117 Budapest
 HUNGARY
 Tel: 0036 1 3651140
 Fax: 0036 1 3725232
 e-mail: info@verder.hu

India

Verder India Pumps Pvt
 Ltd.
 Plot No-3B, D-1 Block,
 MIDC Chinchwad,
 Pune - 411019
 INDIA
 e-mail:
 Sales@verder.co.in
 www.verder.co.in

Italy

Verder Italia
 Via Maestri Del lavoro, 5
 02100 Vazia, Rieti
 ITALY
 Tel: +39 07 46 229064
 e-mail: info@verder.it

The Netherlands

Verder BV
 Leningradweg 5
 NL 9723 TP Groningen
 THE NETHERLANDS
 Tel: +31 50 549 59 00
 Fax: +31 50 549 59 01
 e-mail: info@verder.nl

Poland

Verder Polska
 ul.Ligonia 8/1
 PL-40 036 Katowice
 POLAND
 Tel: +48 32 78 15 032
 Fax: +48 32 78 15 034
 e-mail: verder@verder.pl

Romania

Verder România
 Drumul Balta Doamnei
 no 57-61
 Sector 3
 CP 72-117
 032624 Bucuresti
 ROMANIA
 Tel: +40 21 335 45 92
 Fax: +40 21 337 33 92
 e-mail: office@verder.ro

Slovak Republik

Verder Slovakia s.r.o.
 Silacska 1
 SK-831 02 Bratislava
 SLOVAK REPUBLIK
 Tel: +421 2 4463 07 88
 Fax: +421 2 4445 65 78
 e-mail: info@verder.sk

South Africa

Verder SA
 197 Flaming Rock Avenue
 Northlands Business Park
 Newmarket Street
 ZA Northriding
 SOUTH AFRICA
 Tel: +27 11 704 7500
 Fax: +27 11 704 7515
 e-mail: info@verder.co.za

Switzerland

Verder Deutschland GmbH
 Sales Switzerland
 Retsch-Allee 1-5
 D-42781 Haan
 GERMANY
 Tel: +41 (0)61 331 33 13
 Fax: +41 (0)61 331 63 22
 e-mail: info@verder.ch

United Kingdom

Verder UK Ltd.
 Unit 3 California Drive
 Castleford, WF10 5QH
 UNITED KINGDOM
 Tel: +44 (0) 1924 221 001
 Fax: +44 (0) 1132 465 649
 e-mail: info@verder.co.uk

United States of America

Verder Inc.
 312 Corporate Parkway
 Suite 101
 Macon, GA 31210
 USA
 Tel: +1 877 783 7337
 Fax: +1 478 476 9867
 e-mail: sales@verder-
 us.com