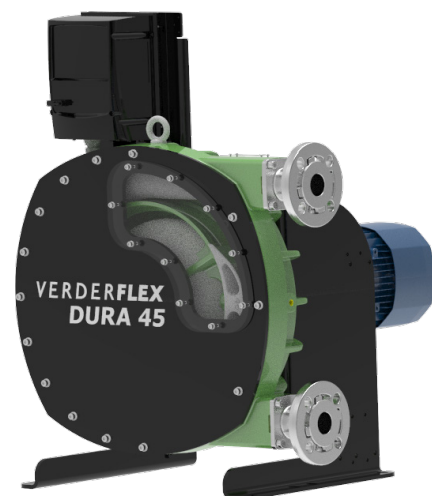


VERDERFLEX

iDura 45

Description

The Verderflex iDura 45 is a “ready to use” Dura hose pump complete with a pump mounted inverter and hose burst protection. The iDura 45 is a compact, industrial hose pump with superior secondary containment for dosing, metering, sampling and sump emptying in chemical and industrial processing complexes, food and beverage facilities and clean and wastewater treatment plants. The pump mounted inverter provides the flexibility of local pump control or automatic monitoring and control real time via external systems. The factory connected hose burst sensor will stop the pump unit on hose burst for enhanced plant operator’s peace of mind.



Your benefits

- Ideal for abrasive or high solid content slurries.
- Self-priming, problem free pumping of gaseous liquid.
- Easily pump viscous liquids.
- Gentle low shear pumping action.
- Dry running capabilities.
- Long life hoses.
- No seals or valves.
- Hose burst pump protection.
- Easy to use controls for use and maintenance.

Features

- Variable speed control, between maximum and minimum flow rates.
- Standard hose burst protection automatically stops the pump on a hose burst.
- Intuitive speed and directional controls with realtime monitoring of parameters using built-in display.
- Displays nominal flow rate ¹.
- Scalable 4-20mA speed control input as standard, MODBUS/CANBUS digital remote control option ².

1. This is factory set to indicate nominal flowrate in l/hr

2. Inverter will have to be programmed by the user to access this function, please refer to the manual.

Technical data

| | |
|-----------------------------|--|
| Flow rate range | 97 - 7761 l/h |
| RPM range | 1 - 76 |
| Power supply rating | 380-480VAC, 50-60Hz, 3phase |
| Installed motor power | 4kW |
| Installed inverter power | 4kW |
| IP ratings | IP66 / NEMA 4x outdoor rating (inverter), IP55 (motor) |
| Maximum discharge pressure | 6 bar |
| Maximum suction lift | 9,5mwc |
| Hose ID | 45mm |
| Maximum medium temperature | 80°C |
| Maximum incompressible size | 4,5mm |
| Maximum compressible size | 11,25mm |
| Ambient temperature | -5 to +40°C |
| Weight | 265kg |

VERDERFLEX

iDura 45

Options and accessories

- Optional hose: FDA CFR21 and EC/1935.
- Ball valve on drain port.
- Service access port on bottom of front cover.
- Weather canopy.

Materials

| Description | Materials | Paint detail |
|-----------------------|--|---------------------|
| Pump housing | Cast iron (GG25) | Green powder coated |
| Front cover | Steel | Powder coated |
| Window | Plexyglass | |
| Rotor | SG Iron | |
| Rotor shoes | Cast aluminium, other materials to order | |
| Bearing housing | Cast iron | Green powder coated |
| Hose burst kit | Brass | |
| Front / rear bearings | Steel | |
| Drive shaft | Heat treated steel | |
| Shaft seals | FKM | |
| Mounting frame | Steel | Powder coated |
| Hose options | Natural Rubber (NR) Options: Nitrile Buna Rubber (NBR), Ethylene Propylene Diene Monomer (EPDM), Nitrile Buna Rubber Foodgrade (NBRF), Hypalon® (CSM) | |
| Port flange | CF-8M (316) stainless steel universal slotted design complies with DIN PN16, DN 50, ANSI 150# 2" & JIS10K Options: Polypropylene or P.V.D.F insert ¹ , DIN11851 hygienic, DIN32676 tri-clamp | |
| Lubricant options | Verderlube - Glycerine based lubricant ² Verdersil - Silicone based lubricant ³ | |
| Inverter | ABS with corrosion resistant aluminium heatsink | |
| Motor | Cast aluminium finished in UNI-EN-ISO-12944-2 | |
| Gearbox | SG iron UNI-EN-ISO-12944-2 | |

1) Temperature limit for PP insert is 40°C and for PVDF insert is 80°C.

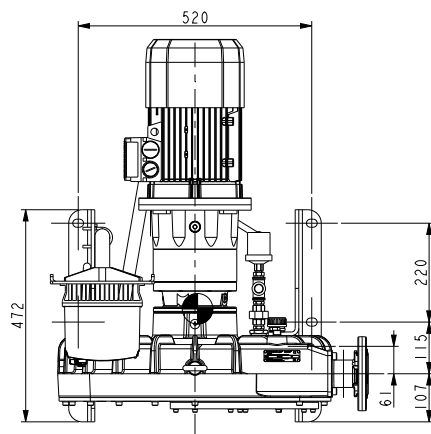
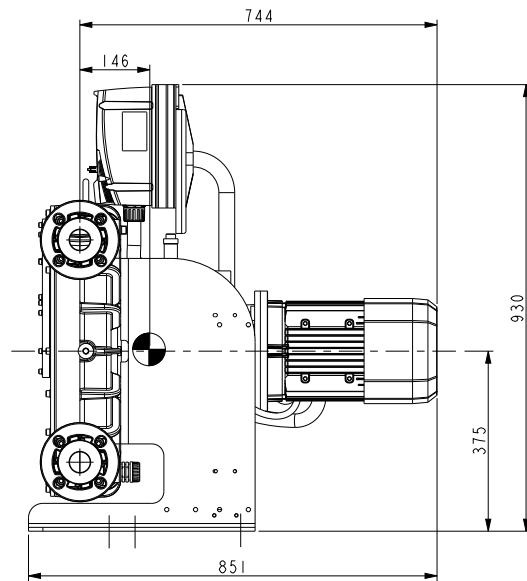
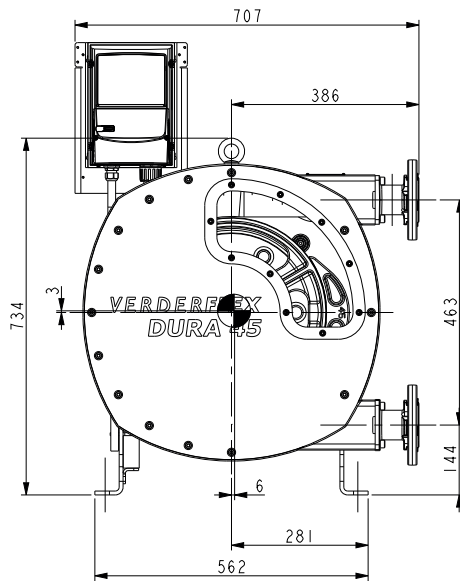
2) Temperature limit for Verderlube is 50°C.

3) Suitable application above 50°C but subject to maximum temperature limit of the hose and applications involving strong oxidising agents and nitrogenous compounds.

VERDERFLEX

iDura 45

Dimensions

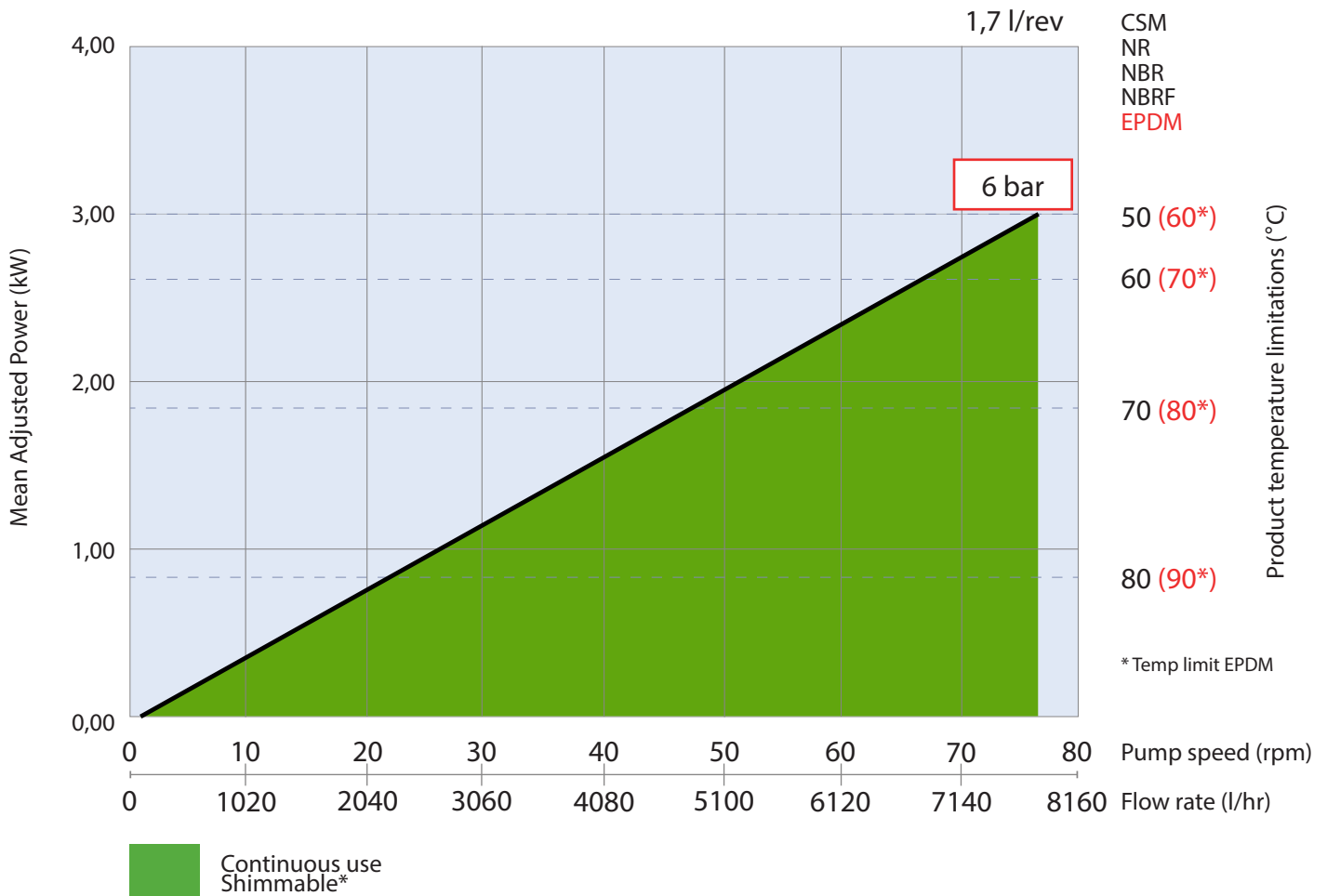


*All dimensions are in mm.
All dimensions and weights are for guidance only.*

VERDERFLEX

iDura 45

Performance curve



Flows are typical and were measured with water at 20 °C with no suction lift or discharge pressure. Actual flows will vary according to suction conditions, discharge pressure and normal component production tolerances.

* For the number of shims of required, please refer to the manual.
Pumps operating above 6 bar require consultation with manufacturer or distributor.

Trademarks

VERDERFLEX® is a registered trademark of Verder Liquids B.V. No permission is granted to use any Verder trademarks or trade names included in this document without the prior written agreement of Verder Liquids B.V. Tri-clamp® is a registered trademark of Alfa Laval Corporate AB. Hypalon® is a registered trademark of RSCC Wire & Cable LLC.

Find your local supplier at www.verderliquids.com

